



ITT

Lowara

## e-SV™ Series

1, 3, 5, 10, 15, 22,  
33, 46, 66, 92, 125

Vertical Multistage  
Electric Pumps  
equipped with  
high efficiency motors

**50 Hz**



*Engineered for life*

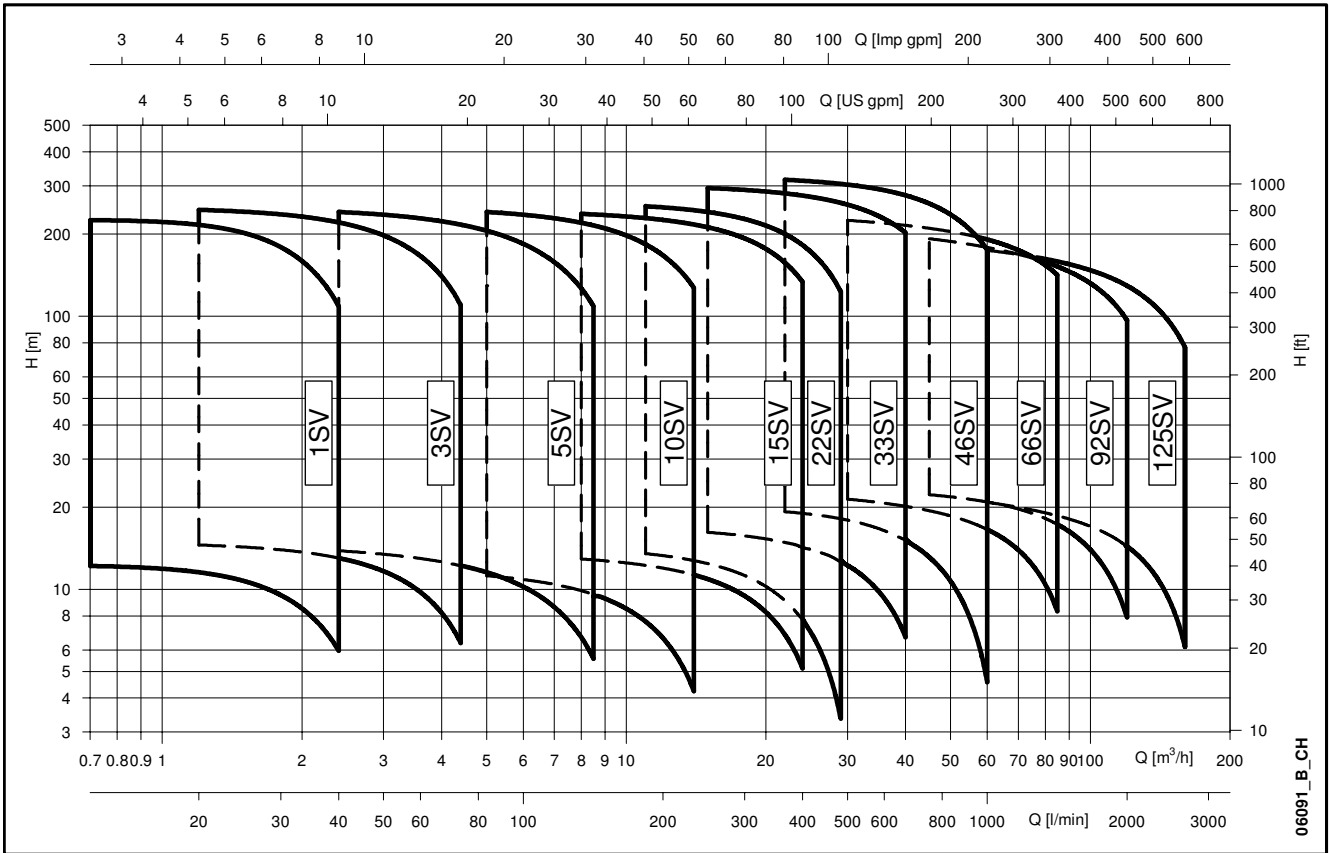




# ITT

# Lowara

## e-SV™ SERIES HYDRAULIC PERFORMANCE RANGE AT 50 Hz





## CONTENTS

e-SV™ series specifications .....	<b>5</b>
Characteristics of 1, 3, 5, 10, 15, 22, 33, 46, 66, 92, 125SV series .....	<b>6</b>
General characteristics .....	<b>7</b>
Identification code .....	<b>8</b>
1, 3, 5SV series and 10, 15, 22SV series ≤ 4 kW, pump cross section and main components .....	<b>10</b>
10, 15, 22SV series ≥ 5,5 kW, pump cross section and main components .....	<b>11</b>
33, 46, 66, 92, 125SV series, pump cross section and main components .....	<b>12</b>
125SV series, pump cross section and main components .....	<b>13</b>
Mechanical seals .....	<b>14</b>
Motors .....	<b>16</b>
SVH series pumps with Hydrovar® control system .....	<b>18</b>
Typical applications of e-SV™ pumps .....	<b>20</b>
Hydraulic performance range e-SV™ series at 50 Hz, 2 poles .....	<b>21</b>
Dimensions and weights at 50 Hz, 2 poles .....	<b>26</b>
Operating characteristics e-SV™ series at 50 Hz, 2 poles .....	<b>27</b>
Accessories .....	<b>51</b>
Special versions .....	<b>54</b>
Technical appendix .....	<b>55</b>



**Lowara**

## Vertical Multistage Electric Pumps

### e-SV™ series with high efficiency motors



## MARKET SECTORS

CIVIL, AGRICULTURAL, LIGHT INDUSTRY, WATER TREATMENT, HEATING AND AIR CONDITIONING.

## APPLICATIONS

- Handling of water, free of suspended solids, in the civil, industrial and agricultural sectors.
- Pressure boosting and water supply systems.
- Irrigation systems.
- Wash systems.
- Water treatment plants.
- Handling of moderately aggressive liquids, demineralised water, water and glycol, etc.
- Circulation of hot and cold water for heating, cooling and conditioning systems.
- Boiler feed.
- Pharmaceutical industries.
- Food & beverage industries.

## SPECIFICATIONS

### PUMP

The SV pump is a non-self priming vertical multistage pump coupled to a standard motor.

The liquid end, located between the upper cover and the pump casing, is held in place by tie rods. The pump casing is available with different configurations and connection types.

- Delivery: up to **160 m<sup>3</sup>/h**.
- Head: up to **330 m**.
- Temperature of pumped liquid:
  - from -30°C to +120°C for standard version.
- Maximum operating **pressure**:
  - 1, 3, 5, 10, 15, 22SV with oval flanges: 16 bar (PN16).
  - 1, 3, 5, 10, 15, 22SV with round flanges or Victaulic®, Clamp or DIN 11851 connections: 25 bar (PN 25).
  - 33, 46SV: 16, 25, 40 bar (PN 16, PN 25 or PN 40).
  - 66, 92, 125SV: 16 or 25 bar (PN 16 or PN 25).
- Tested in compliance with ISO 9906 - Annex A.
- Direction of rotation: clockwise looking at the pump from the top down (marked with an arrow on the adapter and on the coupling).

### MOTOR

- Squirrel cage in short circuit, enclosed construction with external ventilation.
- Standard supply Lowara motors up to 22 kW (included) for the 2-pole version. Other motor brands for higher powers.
- **The Lowara SM ≥ 0,75 kW and PLM surface motors have efficiency values that fall within the range normally referred to as efficiency class IE2.**
- IP55 protection.
- Class F insulation.
- Performances according to EN 60034-1.
- Standard voltage:
  - Single-phase version: 220-240 V, 50 Hz.
  - Three-phase version: 220-240/380-415 V, 50 Hz for power up to 3 kW, 380-415/660-690 V, 50 Hz for power above 3 kW.

### i-ALERT™

Patented i-ALERT™ monitor continuously measures vibration to support optimum performance.

Available **as standard** on pumps 7,5 kW (10 HP) and above.

- ❑ **LIQUID END MADE ENTIRELY OF STAINLESS STEEL IN THE 1, 3, 5, 10, 15, 22 m<sup>3</sup>/h STANDARD VERSION**
- ❑ **STANDARD MECHANICAL SEAL CAN BE REPLACED WITHOUT REMOVING THE MOTOR FROM THE PUMP (FOR 10, 15, 22, 33, 46, 66, 92, 125SV)**
- ❑ **STANDARD MOTOR**
- ❑ **CAN BE USED WITH THE HYDROVAR® CONTROL SYSTEM IN ORDER TO MANAGE THE OPERATION OF THE PUMP BASED ON THE SYSTEM CONDITIONS AND SAVE ENERGY**

## CHARACTERISTICS OF 1, 3, 5, 10, 15, 22SV SERIES

- Vertical multistage centrifugal pump. All metal parts in contact with the pumped liquid are made of stainless steel.
- The following versions are available:
  - **F**: round flanges, in-line delivery and suction ports, AISI 304.
  - **T**: oval flanges, in-line delivery and suction ports, AISI 304.
  - **R**: round flanges, delivery port above the suction port, with four adjustable positions, AISI 304.
  - **N**: round flanges, in-line delivery and suction ports, AISI 316.
  - **V, P**: Victaulic® couplings, in-line delivery and suction ports, AISI 316.
  - **C**: Clamp couplings (DIN 32676), in-line delivery and suction ports, AISI 316.
  - **K**: threaded couplings, (DIN 11851), in-line delivery and suction ports, AISI 316.
- Reduced axial thrusts enable the use of **standard motors** that are easily found in the market. **The Lowara SM ≥ 0,75 kW and PLM surface motors have efficiency values that fall within the range normally referred to as efficiency class IE2.**
- Mechanical seal according to EN 12756 (ex DIN 24960) and ISO 3069 for 1, 3, 5SV and 10, 15, 22SV (≤ of 4 kW) series.
- **Balanced mechanical seal** according to EN 12756 (ex DIN 24960) and ISO 3069, which **can be replaced without removing the motor from the pump** for 10, 15 and 22SV (≥ of 5,5 kW) series.
- Seal housing chamber designed to prevent the accumulation of air in the critical area next to the mechanical seal.
- A second plug is available for 10, 15, 22SV series.
- Versions with round flanges that can be coupled to counter-flanges, according to EN 1092.
- Threaded, oval counter-flanges made of stainless steel are standard supply for the T versions.
- Round counter-flanges made of stainless steel are available on request for the F, R and N versions.
- Easy maintenance. No special tools required for assembly or disassembly.
- **The pumps for F, T, R, N versions are certified for drinking water use (WRAS and ACS certified).**
- Standard version for temperatures ranging from -30°C to +120°C.

## CHARACTERISTICS OF 33, 46, 66, 92, 125SV SERIES

- The following versions are available:
  - **G**: vertical multistage centrifugal pump with impellers, diffusers and outer sleeve made entirely of stainless steel, and with pump casing and motor adaptor made of cast iron.
  - **N, P**: version made entirely of AISI 316 stainless steel.
- Innovative axial load compensation system on pumps with higher head. This ensures reduced axial thrusts and enables the use of **standard motors** that are easily found in the market. **The Lowara surface motors have efficiency values that fall within the range normally referred to as efficiency class IE2.**
- **Balanced mechanical seal** according to EN 12756 (ex DIN 24960) and ISO 3069, which **can be replaced without removing the motor from the pump.**
- Seal housing chamber designed to prevent the accumulation of air in the critical area next to the mechanical seal.
- **The pumps for G, N versions are certified for drinking water use (WRAS and ACS certified).**
- Standard version for temperatures ranging from -30°C to +120°C.
- Pump body fitted with couplings for installing pressure gauges on both suction and delivery flanges.
- In-line ports with round flanges that can be coupled to counter-flanges, in compliance with EN 1092.
- Mechanical sturdiness and easy maintenance. No special tools required for assembly or disassembly.

Inlet pressure of the pump plus static pressure of the water within the pump cannot exceed the nominal pressure (PN). Using different motors from those provided by Lowara could limit inlet pressure. In this event please contact customer services.

## AVAILABLE ON REQUEST

Special versions are available to suit many applications. For details see page 54.

## GENERAL CHARACTERISTICS

### 2-POLE SV

	1SV	3SV	5SV	10SV	15SV	22SV	33SV	46SV	66SV	92SV	125SV
Max efficiency flow (m³/h)	1,7	3	5,5	10,5	16,5	20,5	31	43	72	90	120
Flow range (m³/h)	0,7÷2,4	1,2÷4,4	2,4÷8,5	5÷14	8÷24	11÷29	15÷40	22÷60	30÷85	45÷120	60÷160
Maximum pressure ( bar )	23	25	25	25	25	26	30	36	23	21	22
Motor power ( kW )	0,37÷2,2	0,37÷3	0,37÷5,5	0,75÷11	1,1÷15	1,1÷18,5	2,2÷30	3÷45	4÷45	5,5÷45	7,5÷55
Max $\eta$ ( % ) of pump	50	60	70	71	72	73	77	79	78	80	78
Standard temperature ( °C )	-30 +120										

1-125sv\_2p50-en\_a\_tg

### 1, 3, 5, 10, 15, 22SV VERSIONS

TYPE		2 POLES					
		1SV	3SV	5SV	10SV	15SV	22SV
<b>F</b>	AISI 304, PN25. In-line ports, round flanges	•	•	•	•	•	•
<b>T</b>	AISI 304, PN16. In-line ports, oval flanges	•	•	•	•	•	•
<b>R</b>	AISI 304, PN25. Discharge port above suction, round flanges	•	•	•	•	•	•
<b>N</b>	AISI 316, PN25. In-line ports, round flanges	•	•	•	•	•	•
<b>V</b>	AISI 316, PN25. Victaulic® couplings	•	•	•	•	•	•
<b>P</b>	AISI 316, PN40. Victaulic® couplings	•	•	•	•	•	•
<b>C</b>	AISI 316, PN25. Clamp couplings (DIN 32676)	•	•	•	•	•	•
<b>K</b>	AISI 316, PN25. Threaded couplings (DIN 11851)	•	•	•	•	•	•

• = Available. For P versions see specific catalogue.

1-22sv\_2p50-en\_b\_tc

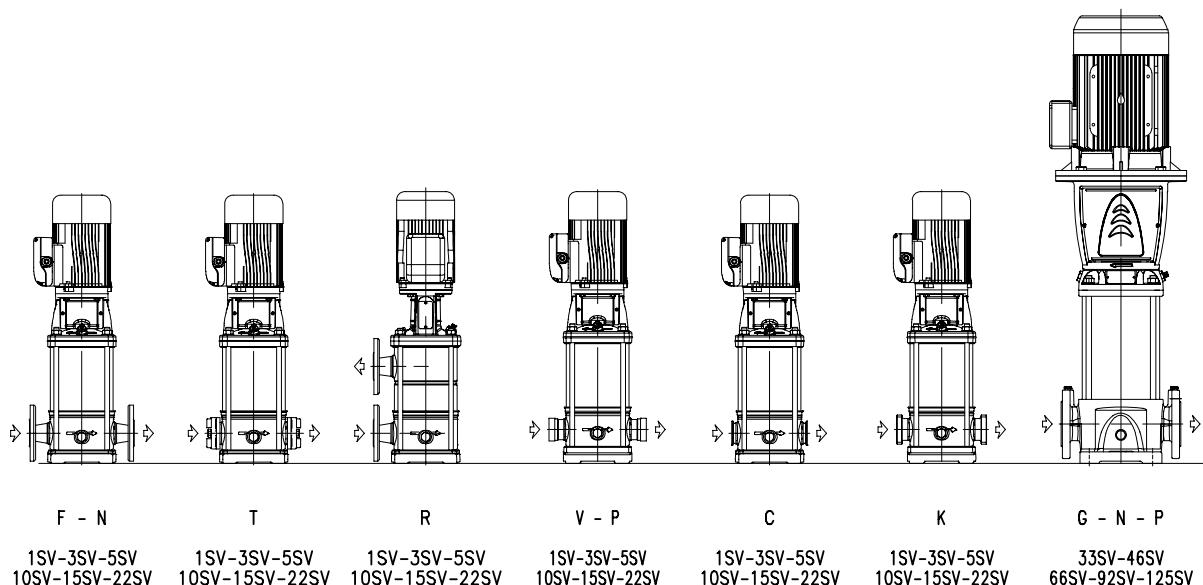
### 33, 46, 66, 92, 125SV VERSIONS

TYPE		2 POLES SV				
		33SV	46SV	66SV	92SV	125SV
<b>G</b>	CAST IRON PUMP CASING, LIQUID END MADE OF STAINLESS STEEL, IN-LINE ROUND FLANGES PN16, PN25 OR PN40 DEPENDING ON NUMBER OF STAGES AND MODEL.	•	•	•	•	•
<b>N</b>	ALL AISI 316 STAINLESS STEEL, IN-LINE ROUND FLANGES, PN16, PN25 OR PN40 DEPENDING ON NUMBER OF STAGES AND MODEL.	•	•	•	•	•
<b>P</b>	ALL AISI 316 STAINLESS STEEL. FLANGES, IN-LINE ROUND, PN40.	•	•	•	•	•

• = Available. For P versions see specific catalogue.

33-125sv\_2p50-en\_a\_tc

## VERSION DIAGRAM



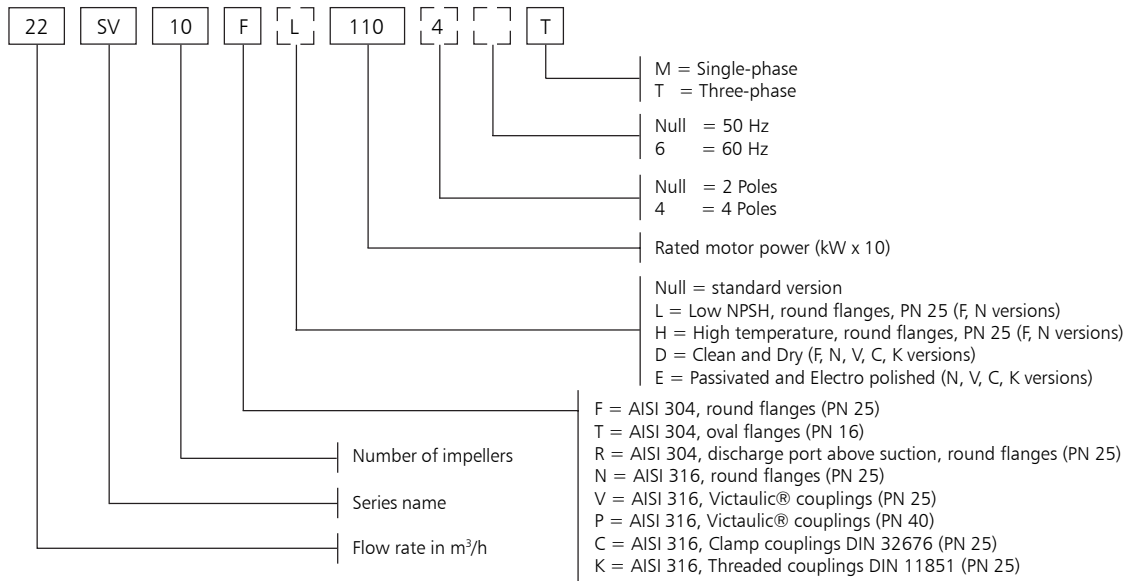


# ITT

# Lowara

## IDENTIFICATION CODE

### 1, 3, 5, 10, 15, 22SV

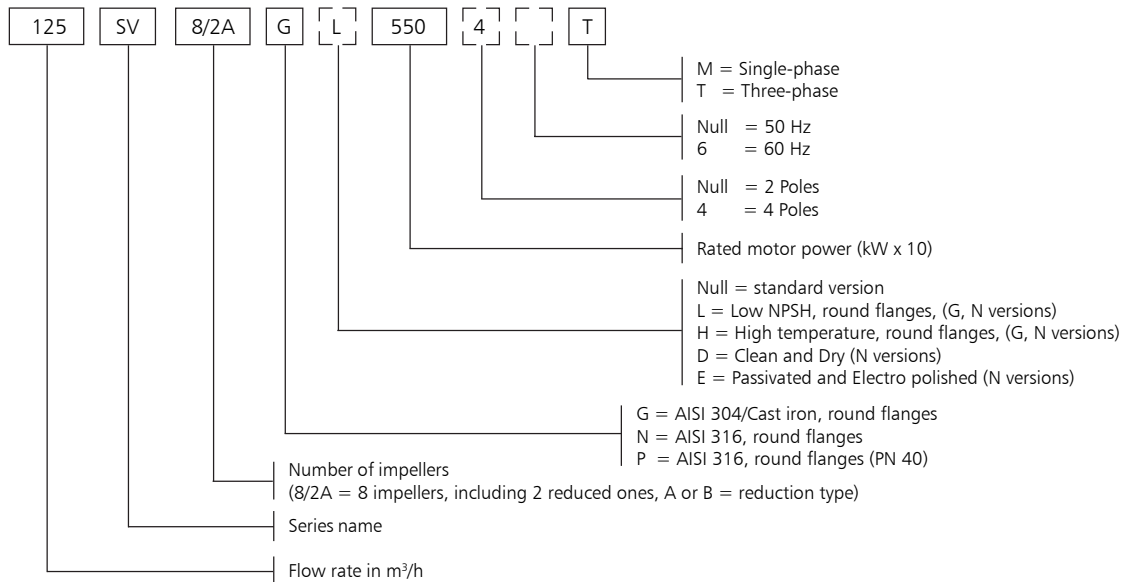


EXAMPLE: 22SV10F110T

SV series electric pump, flow rate 22 m<sup>3</sup>/h, Number of impellers 10,

F version (AISI 304) round flanges, rated motor power 11 kW, 50 Hz frequency, three-phase.

### 33, 46, 66, 92, 125SV



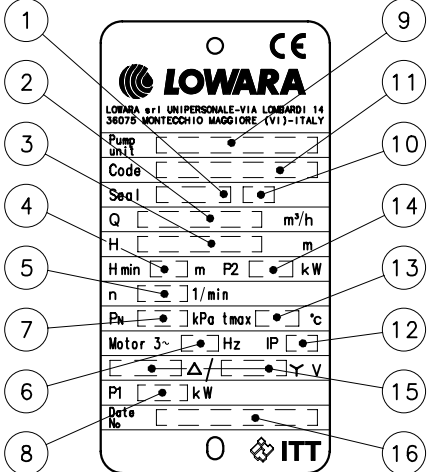
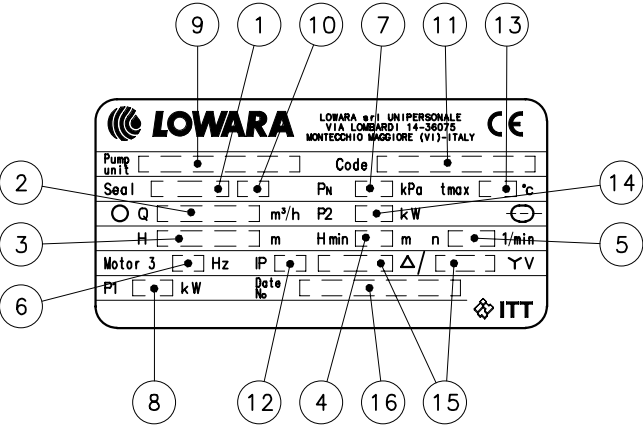
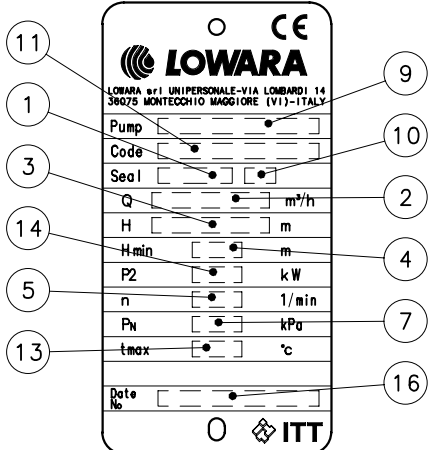
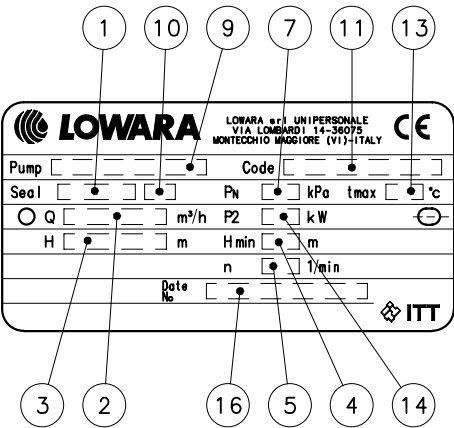
EXAMPLE: 125SV8/2AG550T

SV series electric pump, flow rate 125 m<sup>3</sup>/h, Number of impellers 8, including 2 reduced ones, A reduction type

G version (AISI 304/Cast iron) round flanges, rated motor power 55 kW, 50 Hz frequency, three-phase.



## RATING PLATE

<h3>1-22SV (ELECTRIC PUMP)</h3> 	<h3>33-125SV (ELECTRIC PUMP)</h3> 
<h3>1-22SV (PUMP)</h3> 	<h3>33-125SV (PUMP)</h3> 

05922\_C\_SC

## LEGEND

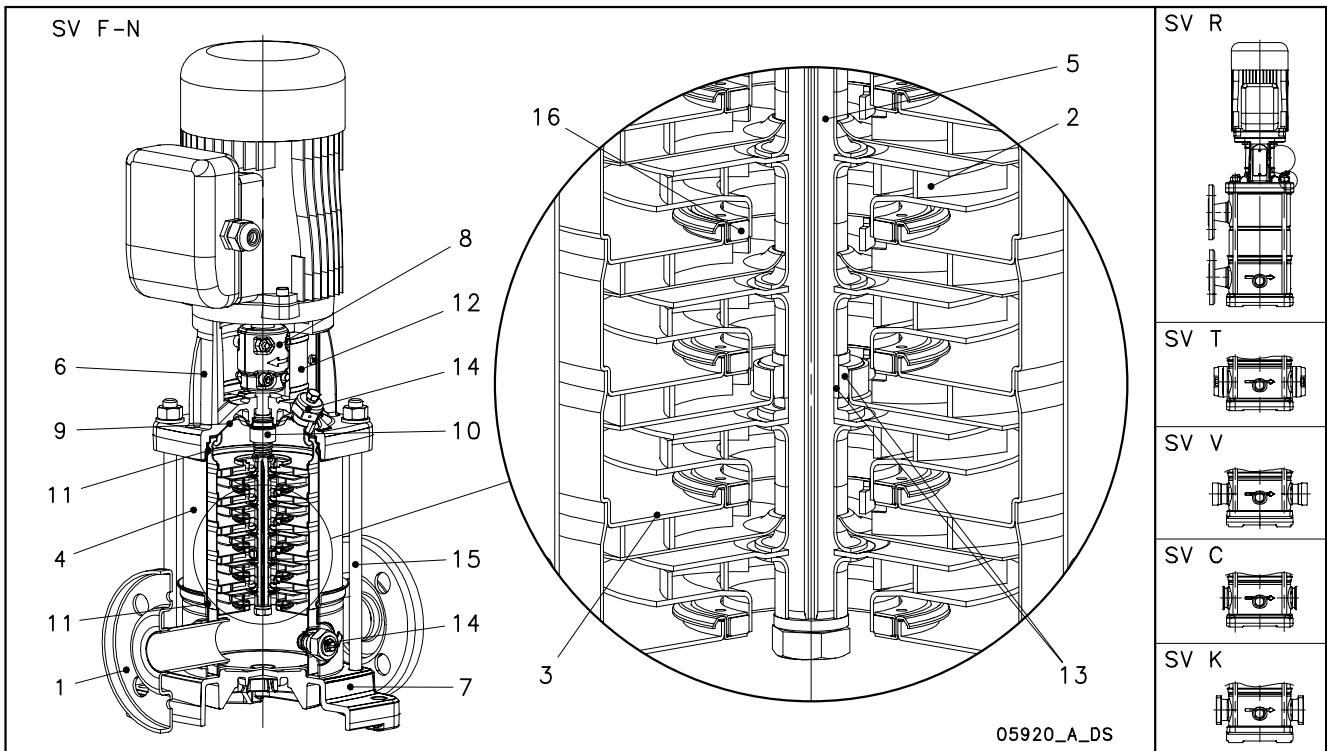
- |   |  |
|---|--|
| <ul style="list-style-type: none"> <li>1 - Mechanical seal material identification code</li> <li>2 - Flow range</li> <li>3 - Head range</li> <li>4 - Minimum head</li> <li>5 - Speed</li> <li>6 - Frequency</li> <li>7 - Maximum operating pressure</li> <li>8 - Electric pump unit absorbed power</li> </ul> | <ul style="list-style-type: none"> <li>9 - Pump / electric pump unit type</li> <li>10 - O-ring material identification code</li> <li>11 - Electric pump unit / pump code</li> <li>12 - Protection class</li> <li>13 - Maximum liquid temperature</li> <li>14 - Motor nominal power</li> <li>15 - Rated voltage</li> <li>16 - Manufacturing date and serial number</li> </ul> |
|---|--|



# ITT

# Lowara

## 1, 3, 5SV SERIES and 10, 15, 22SV SERIES ≤ 4 kW ELECTRIC PUMP CROSS SECTION AND MAIN COMPONENTS



### F, T, R VERSIONS

REF. N.	NAME	MATERIAL	REFERENCE STANDARDS	
			EUROPE	USA
1	Pump body	Stainless steel	EN 10088-1-X5CrNi18-10 (1.4301)	AISI 304
2	Impeller	Stainless steel	EN 10088-1-X5CrNi18-10 (1.4301)	AISI 304
3	Diffuser	Stainless steel	EN 10088-1-X5CrNi18-10 (1.4301)	AISI 304
4	Outer sleeve	Stainless steel	EN 10088-1-X5CrNi18-10 (1.4301)	AISI 304
5	Shaft	Stainless steel	EN 10088-1-X5CrNi18-10 (1.4301)	AISI 304
6	Adapter	Cast iron	EN 1561-GJL-250 (JL1040)	ASTM Class 35
7	Base	Aluminium	EN 1706-AC-ALSi11Cu2 (Fe) (AC46100)	-
8	Coupling	Aluminium	EN 1706-AC-ALSi11Cu2 (Fe) (AC46100)	-
9	Seal housing	Stainless steel	EN 10088-1-X5CrNi18-10 (1.4301)	AISI 304
10	Mechanical seal	Silicon carbide / Carbon / EPDM		
11	Elastomers	EPDM		
12	Coupling protection	Stainless steel	EN 10088-1-X5CrNi18-10 (1.4301)	AISI 304
13	Shaft sleeve and bushing	Tungsten carbide		
14	Fill / drain plugs	Stainless steel	EN 10088-1-X5CrNi18-10 (1.4301)	AISI 304
15	Tie rods	Galvanized steel	EN 10277-3-36SMnPb14 (1.0765)	
16	Wear ring	Technopolymer PPS		

1-22sv-frm-en\_a\_tm

### N, V, C, K VERSIONS

REF. N.	NAME	MATERIAL	REFERENCE STANDARDS	
			EUROPE	USA
1	Pump body	Stainless steel	EN 10088-1-X2CrNiMo17-12-2 (1.4404)	AISI 316L
2	Impeller	Stainless steel	EN 10088-1-X2CrNiMo17-12-2 (1.4404)	AISI 316L
3	Diffuser and upper spacer	Stainless steel	EN 10088-1-X2CrNiMo17-12-2 (1.4404)	AISI 316L
4	Outer sleeve	Stainless steel	EN 10088-1-X2CrNiMo17-12-2 (1.4404)	AISI 316L
5	Shaft	Stainless steel	EN 10088-1-X5CrNiMo17-12-2 (1.4401)	AISI 316
6	Adapter	Cast iron	EN 1561-GJL-250 (JL1040)	ASTM Class 35
7	Base	Aluminium	EN 1706-AC-ALSi11Cu2 (Fe) (AC46100)	-
8	Coupling	Aluminium	EN 1706-AC-ALSi11Cu2 (Fe) (AC46100)	-
9	Seal housing	Stainless steel	EN 10088-1-X2CrNiMo17-12-2 (1.4404)	AISI 316L
10	Mechanical seal	Silicon carbide / Carbon / EPDM		
11	Elastomers	EPDM		
12	Coupling protection	Stainless steel	EN 10088-1-X5CrNi18-10 (1.4301)	AISI 304
13	Shaft sleeve and bushing	Tungsten carbide		
14	Fill / drain plugs	Stainless steel	EN 10088-1-X5CrNiMo17-12-2 (1.4401)	AISI 316
15	Tie rods	Stainless steel	EN 10088-1-X17CrNi16-2 (1.4057)	AISI 431
16	Wear ring	Technopolymer PPS		

1-22sv-nvck-en\_a\_tm

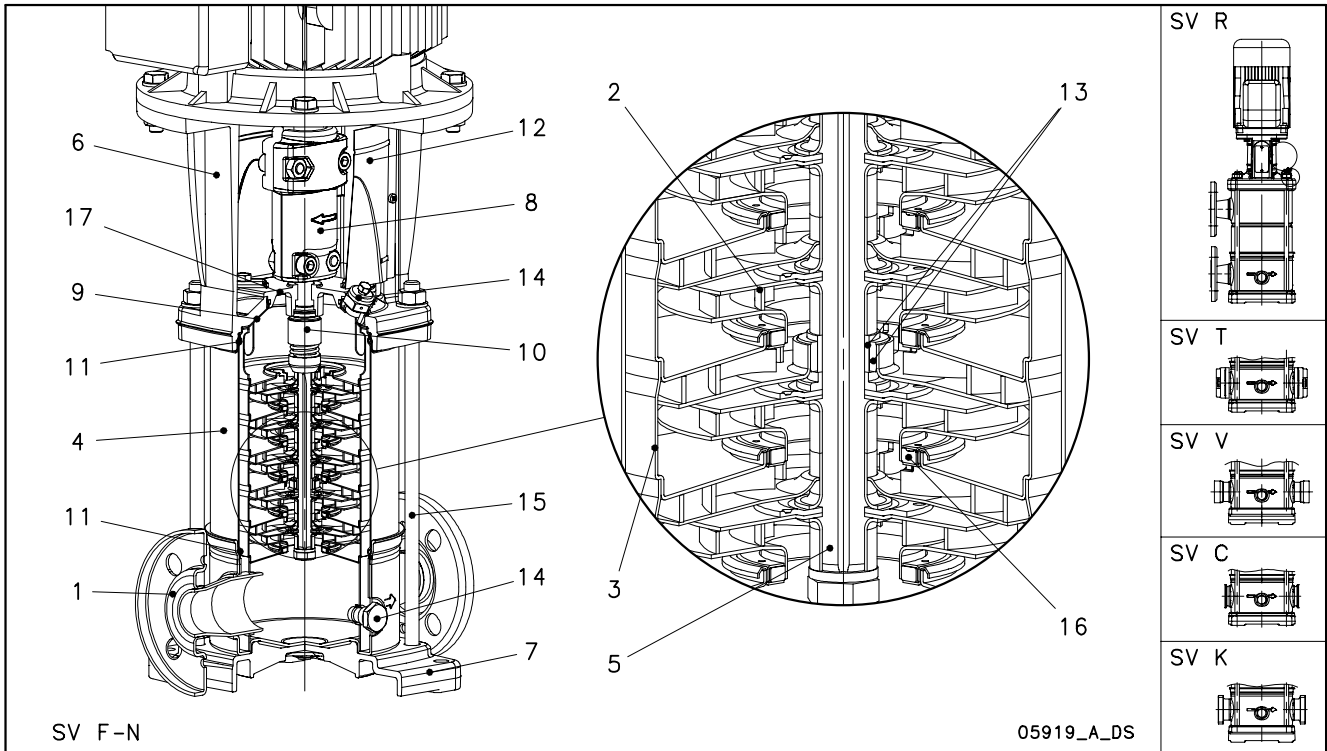


# ITT

# Lowara

## 10, 15, 22SV SERIES ≥ 5,5 kW

## ELECTRIC PUMP CROSS SECTION AND MAIN COMPONENTS



### F, T, R VERSIONS

REF. N.	NAME	MATERIAL	REFERENCE STANDARDS	
			EUROPE	USA
1	Pump body	Stainless steel	EN 10088-1-X5CrNi18-10 (1.4301)	AISI 304
2	Impeller	Stainless steel	EN 10088-1-X5CrNi18-10 (1.4301)	AISI 304
3	Diffuser	Stainless steel	EN 10088-1-X5CrNi18-10 (1.4301)	AISI 304
4	Outer sleeve	Stainless steel	EN 10088-1-X5CrNi18-10 (1.4301)	AISI 304
5	Shaft	Stainless steel	EN 10088-1-X5CrNi18-10 (1.4301)	AISI 304
6	Adapter	Cast iron	EN 1561-GJL-250 (JL1040)	ASTM Class 35
7	Base	Aluminium	EN 1706-AC-AISI11Cu2 (Fe) (AC46100)	-
8	Coupling	Aluminium	EN 1706-AC-AISI11Cu2 (Fe) (AC46100)	-
9	Seal plate	Stainless steel	EN 10088-1-X5CrNi18-10 (1.4301)	AISI 304
10	Mechanical seal	Silicon carbide / Carbon / EPDM		
11	Elastomers	EPDM		
12	Coupling protection	Stainless steel	EN 10088-1-X5CrNi18-10 (1.4301)	AISI 304
13	Shaft sleeve and bushing	Tungsten carbide		
14	Fill / drain plugs	Stainless steel	EN 10088-1-X5CrNi18-10 (1.4301)	AISI 304
15	Tie rods	Stainless steel	EN 10277-3-36SMnPb14 (1.0765)	
16	Wear ring	Technopolymer PPS		
17	Seal gland	Stainless steel	EN 10213-4-GX5CrNi19-10 (1.4308)	AISI 304

### N, V, C, K VERSIONS

10-22sv-ftr-en\_a\_tm

REF. N.	NAME	MATERIAL	REFERENCE STANDARDS	
			EUROPE	USA
1	Pump body	Stainless steel	EN 10088-1-X2CrNiMo17-12-2 (1.4404)	AISI 316L
2	Impeller	Stainless steel	EN 10088-1-X2CrNiMo17-12-2 (1.4404)	AISI 316L
3	Diffuser	Stainless steel	EN 10088-1-X2CrNiMo17-12-2 (1.4404)	AISI 316L
4	Outer sleeve	Stainless steel	EN 10088-1-X2CrNiMo17-12-2 (1.4404)	AISI 316L
5	Shaft	Stainless steel	EN 10088-1-X5CrNiMo17-12-2 (1.4401)	AISI 316
6	Adapter	Cast iron	EN 1561-GJL-250 (JL1040)	ASTM Class 35
7	Base	Aluminium	EN 1706-AC-AISI11Cu2 (Fe) (AC46100)	-
8	Coupling	Aluminium	EN 1706-AC-AISI11Cu2 (Fe) (AC46100)	-
9	Seal plate	Stainless steel	EN 10088-1-X2CrNiMo17-12-2 (1.4404)	AISI 316L
10	Mechanical seal	Silicon carbide / Carbon / EPDM		
11	Elastomers	EPDM		
12	Coupling protection	Stainless steel	EN 10088-1-X5CrNi18-10 (1.4301)	AISI 304
13	Shaft sleeve and bushing	Tungsten carbide		
14	Fill / drain plugs	Stainless steel	EN 10088-1-X5CrNiMo17-12-2 (1.4401)	AISI 316
15	Tie rods	Stainless steel	EN 10088-1-X17CrNi16-2 (1.4057)	AISI 431
16	Wear ring	Technopolymer PPS		
17	Seal gland	Stainless steel	EN 10213-4-GX5CrNiMo19-11-2 (1.4408)	AISI 316

10-22sv-nvck-en\_a\_tm

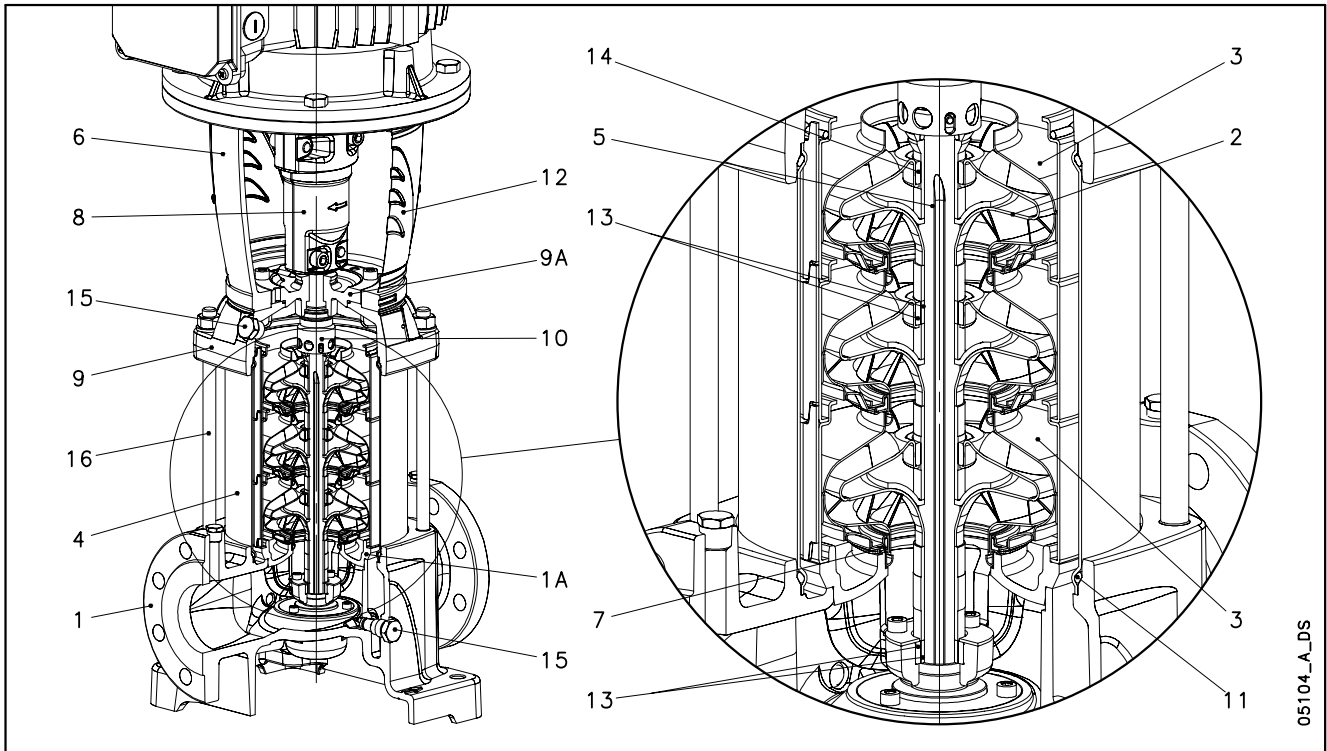


# ITT

# Lowara

## 33, 46, 66, 92SV SERIES

## ELECTRIC PUMP CROSS SECTION AND MAIN COMPONENTS



05104\_A\_DS

### G VERSIONS

REF. N.	NAME	MATERIAL	REFERENCE STANDARDS	
			EUROPE	USA
1	Pump body	Cast iron	EN 1561-GJL-250 (JL1040)	ASTM Class 35
1A	Lower support	Cast iron	EN 1561-GJL-250 (JL1040)	ASTM Class 35
2	Impeller	Stainless steel	EN 10088-1-X2CrNiMo17-12-2 (1.4404)	AISI 316L
3	Diffuser	Stainless steel	EN 10088-1-X5CrNi18-10 (1.4301)	AISI 304
4	Outer sleeve	Stainless steel	EN 10088-1-X5CrNi18-10 (1.4301)	AISI 304
5	Shaft	Stainless steel	EN 10088-1 - X17CrNi16-2 (1.4057)	AISI 431
6	Adapter	Cast iron	EN 1561-GJL-200 (JL1030)	ASTM Class 25
7	Wear ring	Technopolymer PPS		
8	Coupling	Cast iron	EN 1561-GJL-200 (JL1030)	ASTM Class 25
9	Upper head	Cast iron	EN 1561-GJL-250 (JL1040)	ASTM Class 35
9A	Seal housing	Cast iron	EN 1561-GJL-250 (JL1040)	ASTM Class 35
10	Mechanical seal	Silicon carbide / Carbon / EPDM		
11	Elastomers	EPDM		
12	Coupling protection	Stainless steel	EN 10088-1-X5CrNi18-10 (1.4301)	AISI 304
13	Shaft sleeve and bushing	Tungsten carbide		
14	Bushing for diffuser	Carbon		
15	Fill / Drain plugs	Stainless steel	EN 10088-1-X5CrNiMo17-12-2 (1.4401)	AISI 316
16	Tie rods	Galvanized steel	EN 10277-3-36SMnPb14 (1.0765)	-

33-92sv-g-en\_a\_tm

### N VERSIONS

REF. N.	NAME	MATERIAL	REFERENCE STANDARDS	
			EUROPE	USA
1	Pump body	Stainless steel	EN 10213-4-GX5CrNiMo19-11-2 (1.4408)	ASTM CF8M (AISI 316 cast)
1A	Lower support	Stainless steel	EN 10213-4-GX5CrNiMo19-11-2 (1.4408)	ASTM CF8M (AISI 316 cast)
2	Impeller	Stainless steel	EN 10088-1-X2CrNiMo17-12-2 (1.4404)	AISI 316L
3	Diffuser	Stainless steel	EN 10088-1-X2CrNiMo17-12-2 (1.4404)	AISI 316L
4	Outer sleeve	Stainless steel	EN 10088-1-X2CrNiMo17-12-2 (1.4404)	AISI 316L
5	Shaft	Duplex stainless steel	EN 10088-1-X2CrNiMoN22-5-3 (1.4462)	UNS S 31803
6	Adapter	Cast iron	EN 1561-GJL-200 (JL1030)	ASTM Class 25
7	Wear ring	Technopolymer PPS		
8	Coupling	Cast iron	EN 1561-GJL-200 (JL1030)	ASTM Class 25
9	Upper head	Stainless steel	EN 10213-4-GX5CrNiMo19-11-2 (1.4408)	ASTM CF8M (AISI 316 cast)
9A	Seal housing	Stainless steel	EN 10213-4-GX5CrNiMo19-11-2 (1.4408)	ASTM CF8M (AISI 316 cast)
10	Mechanical seal	Silicon carbide / Carbon / EPDM		
11	Elastomers	EPDM		
12	Coupling protection	Stainless steel	EN 10088-1-X5CrNi18-10 (1.4301)	AISI 304
13	Shaft sleeve and bushing	Tungsten carbide		
14	Bushing for diffuser	Carbon		
15	Fill / drain / air plugs	Stainless steel	EN 10088-1-X5CrNiMo17-12-2 (1.4401)	AISI 316
16	Tie rods	Stainless steel	EN 10088-1-X17CrNi16-2 (1.4057)	AISI 431

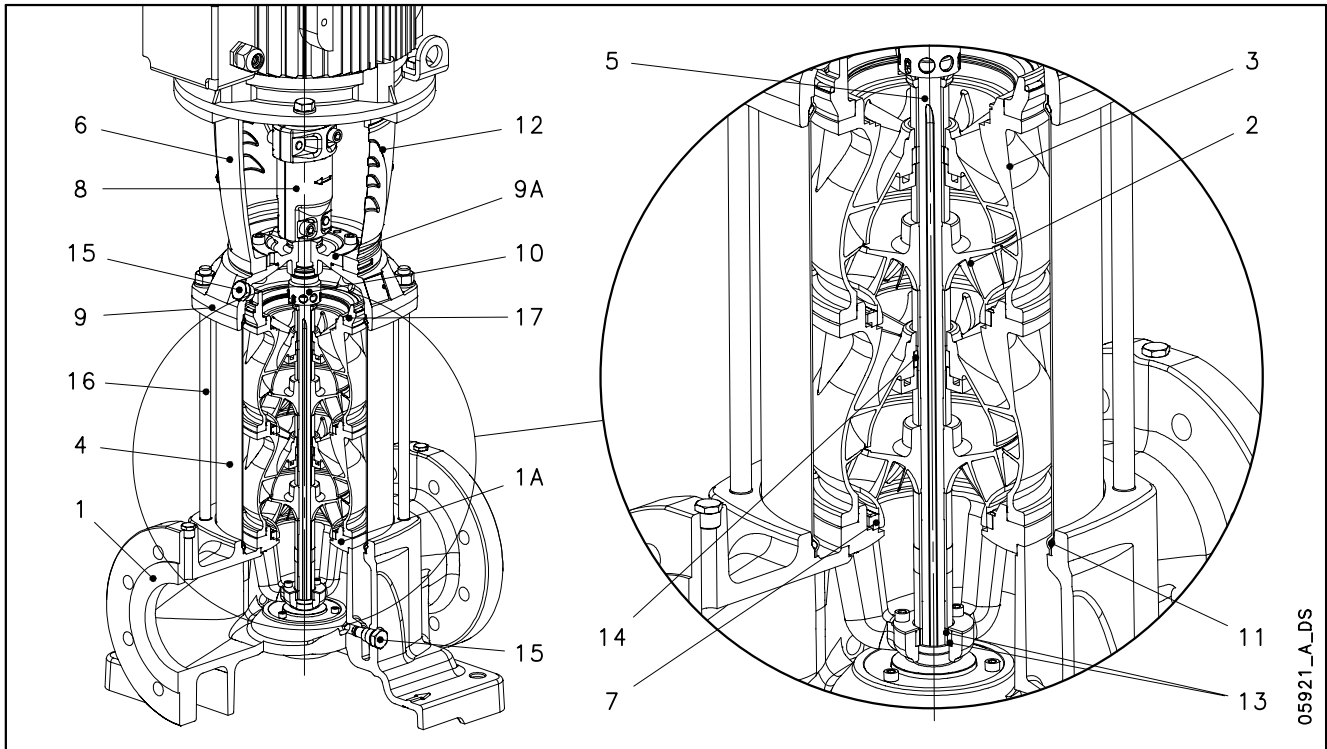
33-92sv-n-en\_a\_tm



ITT

Lowara

**125SV SERIES  
ELECTRIC PUMP CROSS SECTION AND MAIN COMPONENTS**



05921\_A\_DS

**G VERSIONS**

REF. N.	NAME	MATERIAL	REFERENCE STANDARDS	
			EUROPE	USA
1	Pump body	Cast iron	EN 1561-GJL-250 (JL1040)	ASTM Class 35
1A	Lower support	Stainless steel	EN 10213-GX5CrNi19-10 (1.4308)	AISI 304
2-3	Impeller, Diffuser	Stainless steel	EN 10213-GX5CrNi19-10 (1.4308)	AISI 304
4	Outer sleeve	Stainless steel	EN 10088-1-X5CrNi18-10 (1.4301)	AISI 304
5	Shaft	Stainless steel	EN 10088-1 - X17CrNi16-2 (1.4057)	AISI 431
6	Adapter ( up to 45kW )	Cast iron	EN 1561-GJL-200 (JL1030)	ASTM Class 25
6	Adapter ( for higher powers )	Cast iron	EN 1563-GJS-500-7 (JS1050)	ASTM A 536 80-55-06
7	Wear ring	Technopolymer PPS		
8	Coupling ( up to 45kW )	Cast iron	EN 1561-GJL-200 (JL1030)	ASTM Class 25
8	Coupling ( for higher powers )	Cast iron	EN 1563-GJS-500-7 (JS1050)	ASTM A 536 80-55-06
9-9A	Upper head, Seal housing	Cast iron	EN 1561-GJL-250 (JL1040)	ASTM Class 35
10	Mechanical seal	Silicon carbide / Carbon / EPDM		
11	Elastomers	EPDM		
12	Coupling protection	Stainless steel	EN 10088-1-X5CrNi18-10 (1.4301)	AISI 304
13	Shaft sleeve and bushing	Tungsten carbide		
14	Bushing for diffuser	Carbon		
15	Fill / drain / air plugs	Stainless steel	EN 10088-1-X5CrNiMo17-12-2 (1.4401)	AISI 316
16	Tie rods	Galvanized steel	EN 10277-3-36SMnPb14 (1.0765)	-
17	Adapter ring	Stainless steel	EN 10213-GX5CrNi19-10 (1.4308)	AISI 304

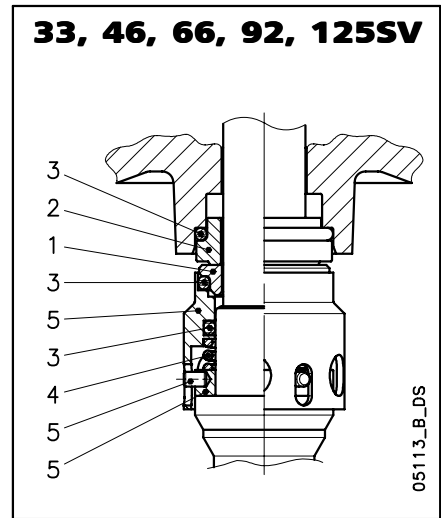
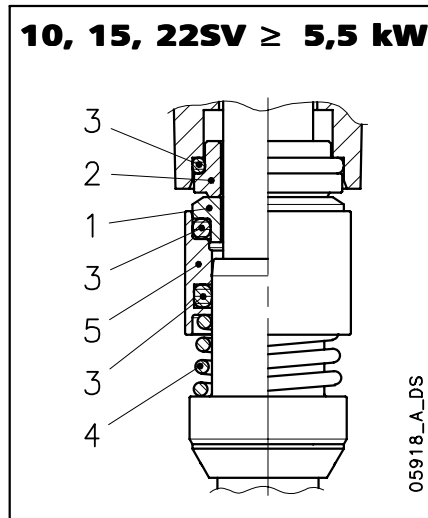
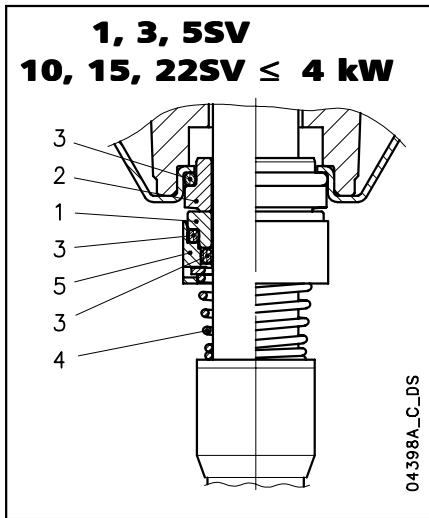
125sv-g-en\_a\_tm

**N VERSIONS**

REF. N.	NAME	MATERIAL	REFERENCE STANDARDS	
			EUROPE	USA
1	Pump body	Stainless steel	EN 10213-4-GX5CrNiMo19-11-2 (1.4408)	ASTM CF8M (AISI 316)
1A	Lower support	Stainless steel	EN 10213-4-GX5CrNiMo19-11-2 (1.4408)	ASTM CF8M (AISI 316)
2-3	Impeller, Diffuser	Stainless steel	EN 10213-4-GX5CrNiMo19-11-2 (1.4408)	ASTM CF8M (AISI 316)
4	Outer sleeve	Stainless steel	EN 10088-1-X2CrNiMo17-12-2 (1.4404)	AISI 316L
5	Shaft	Duplex stainless steel	EN 10088-1-X2CrNiMoN22-5-3 (1.4462)	UNS S 31803
6	Adapter	Cast iron	EN 1561-GJL-200 (JL1030)	ASTM Class 25
6	Adapter	Cast iron	EN 1563-GJS-500-7 (JS1050)	
7	Wear ring	Technopolymer PPS		
8	Coupling	Cast iron	EN 1561-GJL-200 (JL1030)	ASTM Class 25
8	Coupling	Cast iron	EN 1563-GJS-500-7 (JS1050)	
9-9A	Upper head, Seal housing	Stainless steel	EN 10213-4-GX5CrNiMo19-11-2 (1.4408)	ASTM CF8M (AISI 316)
10	Mechanical seal	Silicon carbide / Carbon / EPDM		
11	Elastomers	EPDM		
12	Coupling protection	Stainless steel	EN 10088-1-X5CrNi18-10 (1.4301)	AISI 304
13	Shaft sleeve and bushing	Tungsten carbide		
14	Bushing for diffuser	Carbon		
15	Fill / drain / air plugs	Stainless steel	EN 10088-1-X5CrNiMo17-12-2 (1.4401)	AISI 316
16	Tie rods	Stainless steel	EN 10088-1-X17CrNi16-2 (1.4057)	AISI 431
17	Adapter ring	Stainless steel	EN 10213-4-GX5CrNiMo19-11-2 (1.4408)	ASTM CF8M (AISI 316)

125sv-n-en\_a\_tm

## e-SV™ SERIES MECHANICAL SEALS, ACCORDING TO EN 12756



### LIST OF MATERIALS

POSITION 1 - 2	POSITION 3	POSITION 4 - 5
Q <sub>1</sub> : Silicon Carbide	E : EPDM	G : AISI 316
B : Resin impregnated carbon	V : FPM	
C : Special resin impregnated carbon	T : PTFE	

### TYPE OF SEAL

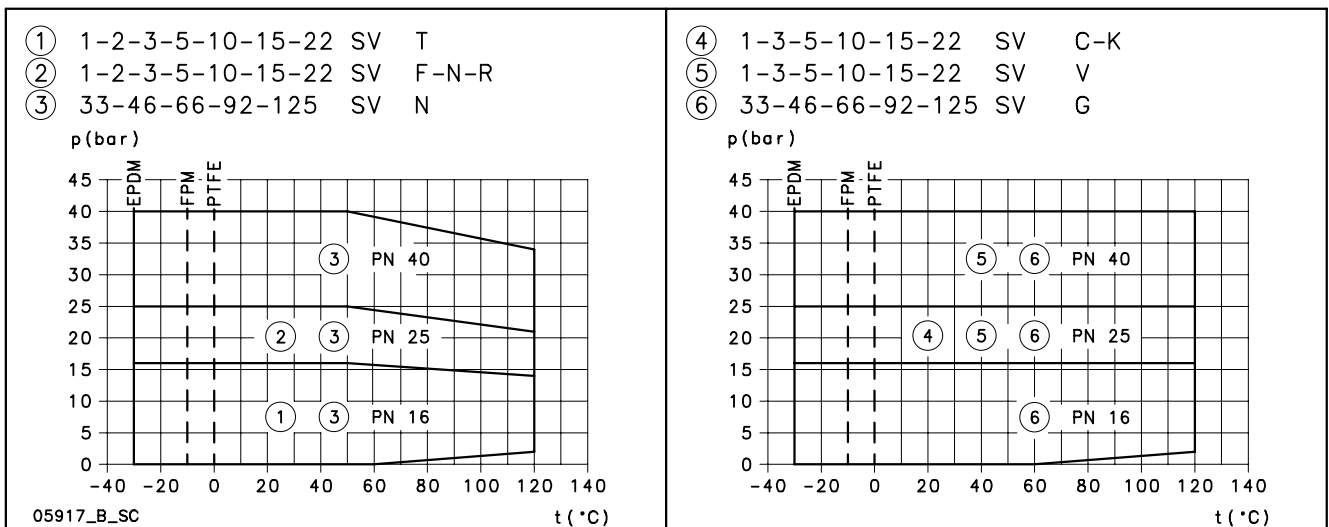
sv\_ten-mec-en\_a\_tm

TYPE	POSITION					TEMPERATURE (°C)
	1 ROTATING PART	2 STATIONARY PART	3 ELASTOMERS	4 SPRINGS	5 OTHER COMPONENTS	
<b>STANDARD MECHANICAL SEAL</b>						
Q <sub>1</sub> B E G G	Q <sub>1</sub>	B	E	G	G	-30 +120
<b>OTHER TYPES OF AVAILABLE MECHANICAL SEAL</b>						
Q <sub>1</sub> Q <sub>1</sub> E G G	Q <sub>1</sub>	Q <sub>1</sub>	E	G	G	-30 +120
Q <sub>1</sub> B V G G	Q <sub>1</sub>	B	V	G	G	-10 +120
Q <sub>1</sub> Q <sub>1</sub> V G G	Q <sub>1</sub>	Q <sub>1</sub>	V	G	G	-10 +120
*Q <sub>1</sub> C T G G	Q <sub>1</sub>	C	T	G	G	0 +120
*Q <sub>1</sub> Q <sub>1</sub> T G G	Q <sub>1</sub>	Q <sub>1</sub>	T	G	G	0 +120

\* Versions with anti-rotation lock pin of the fixed part.

sv\_tipi-ten-mec-en\_b\_tc

### PRESSURE/TEMPERATURE APPLICATION LIMITS FOR COMPLETE PUMP (APPLICABLE WITH ANY OF THE SEALS LISTED ABOVE)



## COMPATIBILITY CHART FOR MATERIALS IN CONTACT WITH MOST COMMONLY USED LIQUIDS

LIQUID	CONCENTRATION (%)	TEMPERAT. MIN/MAX (°C)	SPECIF. WEIGHT (Kg/dm <sup>3</sup> )	1, 3, 5, 10, 15, 22 SV		33, 46, 66, 92, 125 SV		RECOMMEND. SEAL	ELASTOM.
				VERSION Standard	VERSION N	VERSION Standard	VERSION N		
Acetic acid	80	-10 +70	1,05	•	•		•	Q <sub>1</sub> BEGG	E
Alkaline degreaser	5	80		•	•	•	•	Q <sub>1</sub> Q <sub>1</sub> VGG	V
Aluminium sulfate	30	-5 +50	2,71		•		•	Q <sub>1</sub> Q <sub>1</sub> EGG	E
Ammonia in water	25	-20 +50	0,99	•	•		•	Q <sub>1</sub> BEGG	E
Ammonium sulfate	10	-10 +60	1,77		•		•	Q <sub>1</sub> Q <sub>1</sub> EGG	E
Benzoic acid	70	0 +70	1,31	•	•		•	Q <sub>1</sub> BVGG	V
Boric acid	saturated	-10 +90	1,43	•	•		•	Q <sub>1</sub> Q <sub>1</sub> VGG	V
Butyl alcohol	100	-5 +80	0,81	•	•	•	•	Q <sub>1</sub> BVGG	V
Caustic soda	25	0 +70	2,13	•	•	•	•	Q <sub>1</sub> Q <sub>1</sub> EGG	E
Chloroform	100	-10 +30	1,48	•	•	•	•	Q <sub>1</sub> BVGG	V
Citric acid	5	-10 +70	1,54	•	•		•	Q <sub>1</sub> BEGG	E
Cleaning products	10	-5 +100		•	•	•	•	Q <sub>1</sub> Q <sub>1</sub> VGG	V
Copper sulfate	20	0 +30	2,28		•		•	Q <sub>1</sub> Q <sub>1</sub> VGG	V
Cutting fluid	100	-5 +110	0,90	•	•	•	•	Q <sub>1</sub> BVGG	V
Deionised, demineralised water	100	-25 +110	1	•	•	•	•	Q <sub>1</sub> BEGG	E
Denatured alcohol	100	-5 +70	0,81	•	•	•	•	Q <sub>1</sub> BEGG	E
Diathermic oil	100	-5 +110	0,90	•	•	•	•	Q <sub>1</sub> BVGG	V
Emulsion oil and water	any	-5 +90		•	•	•	•	Q <sub>1</sub> BVGG	V
Ethyl alcohol	100	-5 +40	0,81	•	•	•	•	Q <sub>1</sub> BEGG	E
Ethylene glycol	30	-30 +120			•		•	Q <sub>1</sub> BEGG	E
Formaldehyde	100	0 +30	1,13	•	•	•	•	Q <sub>1</sub> Q <sub>1</sub> TGG	T
Formic acid	5	-15 +25	1,22	•	•		•	Q <sub>1</sub> BEGG	E
Glycerine	100	+20 +90	1,26	•	•	•	•	Q <sub>1</sub> BEGG	E
Hydraulic oil	100	-5 +110		•	•	•	•	Q <sub>1</sub> BVGG	V
Hydrochloric acid	2	-5 +25	1,20		•		•	Q <sub>1</sub> Q <sub>1</sub> VGG	V
Hydroxide sodium	25	0 +70		•	•	•	•	Q <sub>1</sub> Q <sub>1</sub> EGG	E
Iron sulfate	10	-5 +30	2,09		•		•	Q <sub>1</sub> BEGG	E
Methyl alcohol	100	-5 +40	0,79	•	•	•	•	Q <sub>1</sub> BEGG	E
Mineral oil	100	-5 +110	0,94	•	•	•	•	Q <sub>1</sub> BVGG	V
Nitric acid	50	-5 +30	1,48	•	•		•	Q <sub>1</sub> Q <sub>1</sub> VGG	V
Perchloroethylene	100	-10 +30	1,60	•	•	•	•	Q <sub>1</sub> BVGG	V
Phosphates-polyphosphates	10	-5 +90			•		•	Q <sub>1</sub> Q <sub>1</sub> VGG	V
Phosphoric acid	10	-5 +30	1,33		•		•	Q <sub>1</sub> BEGG	E
Propyl alcohol (Propanol)	100	-5 +80	0,80	•	•	•	•	Q <sub>1</sub> BEGG	E
Propylene glycol	30	-30 +120		•	•	•	•	Q <sub>1</sub> BEGG	E
Sodium bicarbonate (Baking soda)	saturated				•		•	Q <sub>1</sub> BEGG	E
Sodium hypochlorite	1	-10 +25			•		•	Q <sub>1</sub> Q <sub>1</sub> VGG	V
Sodium nitrate	saturated	-10 +80	2,25	•	•	•	•	Q <sub>1</sub> BEGG	E
Sodium sulfate	15	-10 +40	2,60	•	•	•	•	Q <sub>1</sub> Q <sub>1</sub> EGG	E
Sulphuric acid	2	-10 +25	1,84		•		•	Q <sub>1</sub> BVGG	V
Tannic acid	20	0 +50			•		•	Q <sub>1</sub> BEGG	E
Tartaric acid	50	-10 +25	1,76	•	•		•	Q <sub>1</sub> Q <sub>1</sub> VGG	V
Trichloroethylene	100	-10 +40	1,46	•	•	•	•	Q <sub>1</sub> BVGG	V
Uric acid	80	-10 +80	1,89	•	•		•	Q <sub>1</sub> BEGG	E
Vegetable oil	100	-5 +110	0,95	•	•	•	•	Q <sub>1</sub> BEGG	E
Water	100	-5 +120		•	•	•	•	Q <sub>1</sub> BEGG	E
Water condensate	100	-5 +100	1	•	•	•	•	Q <sub>1</sub> BEGG	E
Water detergents, mineral oils mixture	10	-5 +80		•	•	•	•	Q <sub>1</sub> Q <sub>1</sub> VGG	V

tab-comp-sv-en\_b\_tm

The above table indicates the compatibility of materials depending on the pumped liquid. Check the specific weight of the liquid or the viscosity as this could affect the power input of the motor and hydraulic performance. For further details, please contact the sales network.

## e-SV™ SERIES MOTORS

- Standard Lowara motors with powers up to 22 kW (included) for the 2-pole version. Other motor brands are used for higher powers.
  - The Lowara PLM and SM three-phase motors have efficiency values that fall within the range normally referred to as **efficiency class IE2**.
  - Short-circuit squirrel-cage motor (TEFC), enclosed construction with external ventilation.
  - IP55 protection.
  - Class F insulation.
  - Performance according to EN 60034-1.
  - Standard voltage.
  - Cable gland with standard passage dimensions according to EN 50262 (metric thread).
- **Single-phase** version: 220-240 V 50 Hz with built-in automatic reset overload protection up to 1,5 kW.  
For higher powers the protection must be provided by the user.
  - **Three-phase** version 220-240/380-415 V 50 Hz for power up to 3 kW.  
380-415/660-690 V 50 Hz for power above 3 kW.  
Overload protection to be provided by the user.

### • Type of motor used: 2-Pole

Single-phase:	Lowara SM	(0,37-1,5 kW)
	Lowara PLM	(2,2 kW)
Three-phase:	Lowara SM	(0,37-0,55 kW)
	Lowara SM HE	(0,75-1,1 kW)
	Lowara PLM	(1,5-22 kW)
	Other brands	(30-55 kW)

## SINGLE-PHASE MOTORS AT 50 Hz, 2-POLE

MOTOR TYPE			ABSORBED CURRENT I <sub>n</sub> (A) 220-240 V	CAPACITOR		DATA FOR 230 V 50 Hz VOLTAGE					
kW	IEC SIZE*	CONSTRUCTION DESIGN		μF	V	min <sup>-1</sup>	I <sub>s</sub> / I <sub>n</sub>	η %	cosφ	T <sub>n</sub> Nm	T <sub>s</sub> /T <sub>n</sub> **
0,37	71R	B14	2,79-2,85	14	450	2745	2,64	65,1	0,96	1,39	0,68
0,55	71	B14	3,76-3,99	16	450	2820	3,72	68,9	0,91	1,86	0,61
0,75	80R	B14	4,90-4,85	20	450	2765	3,42	70,1	0,96	2,59	0,58
1,1	80	B14	6,88-6,65	30	450	2800	3,89	74,7	0,96	3,75	0,46
1,5	90R	B14	9,21-8,58	40	450	2810	4,00	76,1	0,98	5,09	0,39
2,2	90	B14	12,5-11,6	70	450	2825	4,47	82,4	0,97	7,43	0,53

\* R = Reduced size of motor casing as compared to shaft extension and flange.

1-224sv-motm-2p50-en\_a\_te

\*\* T<sub>s</sub>/T<sub>n</sub> = ratio between starting torque and nominal torque.

## THREE-PHASE MOTORS AT 50 Hz, 2-POLE

MOTOR TYPE			ABSORBED CURRENT in (A) THREE-PHASE				DATA FOR 400 V 50 Hz VOLTAGE					
kW	IEC SIZE*	CONSTRUCTION DESIGN					min <sup>-1</sup>	I <sub>s</sub> / I <sub>n</sub>	η %	cosφ	T <sub>n</sub> Nm	T <sub>s</sub> /T <sub>n</sub> **
			Δ 220-240 V	Y 380-415 V	Δ 380-415 V	Y 660-690V						
0,37	71R	B14	2,34	1,35	-	-	2770	4,32	65,3	0,66	1,38	4,14
0,55	71	B14	2,56	1,48	-	-	2845	5,97	72,3	0,74	1,85	3,74
0,75	80	B14	3,05	1,76	-	-	2895	8,70	77,8	0,79	2,47	4,71
1,1	80	B14	4,09	2,36	-	-	2895	8,98	82,5	0,82	3,63	4,62
1,5	90	B14	5,23	3,02	-	-	2885	7,86	83,8	0,86	4,96	3,34
2,2	90	B14	8,04	4,64	-	-	2895	8,63	85,7	0,80	7,25	3,74
3	100R	B14	10,7	6,19	-	-	2885	8,32	85,6	0,82	9,92	3,52
4	112R	B14	-	-	7,63	4,41	2905	9,52	89,1	0,85	13,1	3,04
5,5	132R	B5	-	-	10,4	6,00	2900	10,3	87,5	0,87	18,1	4,43
7,5	132	B5	-	-	14,0	8,08	2925	9,21	88,5	0,87	24,5	3,26
11	160R	B5	-	-	20,5	11,8	2925	9,60	89,6	0,86	35,9	3,47
15	160	B5	-	-	26,0	15,0	2945	8,45	91,7	0,91	48,6	2,26
18,5	160	B5	-	-	33,2	19,2	2950	9,75	92,0	0,88	59,8	2,82
22	180R	B5	-	-	38,6	22,3	2955	9,50	92,1	0,89	71,1	2,74
30	200	B5	-	-	53,6	31,1	2955	6,50	92,9	0,87	97,0	2,40
37	200	B5	-	-	65,8	38,1	2950	6,80	93,3	0,87	120	2,40
45	225	B5	-	-	78,0	45,2	2960	7,00	93,6	0,89	145	2,20
55	250	B5	-	-	95,0	55,1	2960	7,00	93,9	0,89	178	2,20

\* R = Reduced size of motor casing as compared to shaft extension and flange.

1-125sv-mott-2p50-en\_a\_te

\*\* T<sub>s</sub>/T<sub>n</sub> = ratio between starting torque and nominal torque.



**e-SV™ SERIES  
MOTOR NOISE**

The tables show the mean sound pressure (Lp) measured as per Curve A (Standard ISO 1680). Noise values were measured with the 50 Hz motor running idle with a tolerance of 3 dB (A).

**2-POLE MOTORS**

POWER kW	MOTOR TYPE IEC SIZE*	NOISE LpA dB
0,37	71R	<70
0,55	71	<70
0,75	80R	<70
1,1	80	<70
1,5	90R	<70
2,2	90R	<70
3	100R	<70
4	112R	<70
5,5	132R	<70
7,5	132	71
11	160R	73
15	160	71
18,5	160	73
22	180R	70
30	200	72
37	200	72
45	225	75
55	250	75

\*R = Reduced motor casing size with respect to shaft extension and related flange.

1-125sv\_mott\_2p50-en\_a\_tr

## **SVH SERIES ELECTRIC PUMPS WITH HYDROVAR® CONTROL SYSTEM**

The Lowara SV electric pumps are available in the SVH version, i.e. coupled to Hydrovar®, the microprocessor based control unit designed to manage the performance of the pump based on the conditions and requirements of the system. The basic SV electric pump is thus transformed into a complete pumping system suitable for a number of applications, including:

- Variable speed pressure boosting (constant pressure is maintained in industrial, civil and agricultural applications).
- Water filtration and treatment (constant flow is maintained based on flow resistance).
- Air conditioning and heating (constant differential pressure is maintained in a closed circuit).
  
- **No special pumps or motors:**  
HYDROVAR® is mounted directly onto a standard three-phase TEFC motor with class F insulation up to 22 kW power. A wall-mounted version is available for higher powers, up to 45 kW.
  
- **No extra pressure sensors:**  
HYDROVAR® is equipped with a pressure transmitter or differential pressure transmitter, depending on the applications.
  
- **No separate microprocessors:**  
In multiple-pump systems the microprocessor regulates the sequential operation of the pumps or motors. Since HYDROVAR® features a built-in microprocessor, no other control devices are required.
  
- **No separate control panels or converters:**  
HYDROVAR® performs all the functions of a pump control panel, incorporating protections against overload, short circuit, high temperature, etc. The only external device required is a fuse on the power supply line. Will depend upon any local electrical installation regulations.
  
- **No by-pass lines or safety systems:**  
With HYDROVAR® the pump switches off immediately when demand is zero or exceeds the maximum capacity of the pump. This way there is no need to install additional safety devices.
  
- **No large diaphragm tanks are required:**  
Without a large pressure tank on the discharge side of the pump, a constant speed pump running at maximum power will be constantly switching on and off in order to satisfy system demands.



With the HYDROVAR® system the speed of each pump varies in order to maintain a constant pressure or flow. A small tank is sufficient to maintain system pressure and to ensure immediate shut off at zero demand, therefore there is no need to install a large tank. Where local regulations allow it, the HYDROVAR® systems can be connected directly to the water supply line.

**The pump's operation at the correct speed based on system requirements enables energy consumption to be substantially reduced.**

- **Anti-condensation heater**  
All the units are equipped with anti-condensation heaters that switch on when the pump is in standby mode to prevent condensation inside the unit.

## OPERATING PRINCIPLE

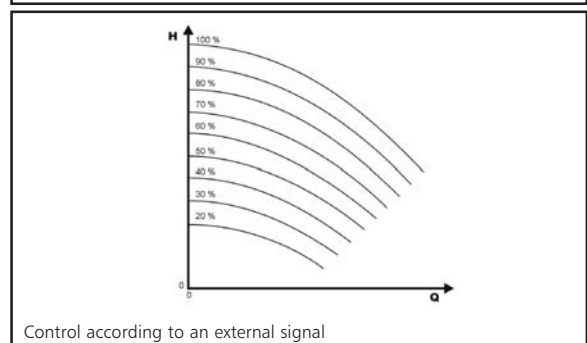
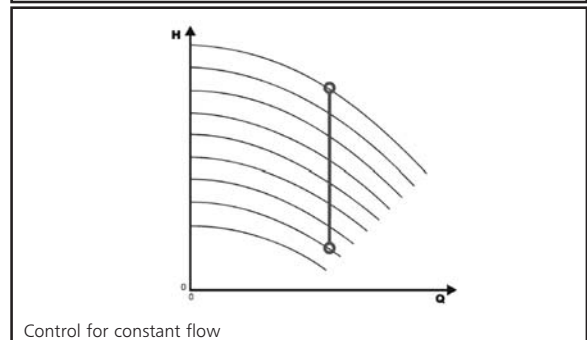
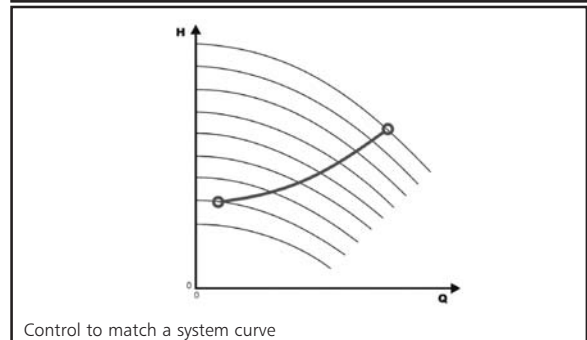
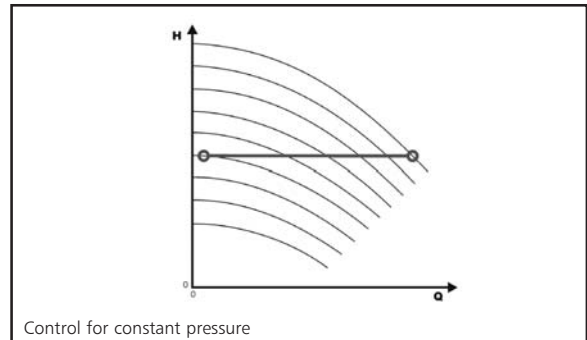
The basic function of the HYDROVAR® device is to control the pump to meet the system demands.

### HYDROVAR® performs these functions by:

- 1) Measuring the system pressure or flow via a transmitter mounted on the pump's delivery side.
- 2) Calculating the motor speed to maintain the correct flow or pressure.
- 3) Sending out a signal to the pump to start the motor, increase speed, decrease speed or stop.
- 4) In the case of multiple pump installations, HYDROVAR® will automatically provide for the cyclic changeover of the pump's starting sequence.

In addition to these basic functions, HYDROVAR® can do things only by the most advanced computerised control systems, such as:

- Stop the pump(s) at zero demand.
- Stop the pump(s) in case of water failure on the suction side (protection against dry running).
- Stop the pump if the required delivery exceeds the pump's capacity (protection against cavitation caused by excessive demand), or automatically switch on the next pump in a multiple series.
- Protect the pump and motor from overvoltage, undervoltage, overload and earth fault.
- Vary the pump speed acceleration and deceleration time.
- Compensate for increased flow resistance at high flow rates.
- Conduct automatic test starts at set intervals.
- Monitor the converter and motor operating hours.
- Display all functions on an LCD in different languages (Italian, English, French, German, Spanish, Portuguese, Dutch).
- Send a signal to a remote control system which is proportional to the pressure and frequency.
- Communicate with another HYDROVAR® or control system via an RS 485 interface.



## TYPICAL EXAMPLE OF ENERGY SAVINGS

System: 22SV07F75T vertical multistage electric pump with 7,5 kW motor equipped with HYDROVAR®, 70 m head. 19 hour/day operation.

Application: maintaining a constant pressure as the flow rate varies.

FLOW  m <sup>3</sup> /h	ABSORBED POWER		POWER SAVED  kW	OPERATING TIME  (hours)	TOTAL ENERGY SAVINGS  kWh
	CONSTANT SPEED PUMP kW	VARIABLE SPEED PUMP kW			
24	7,4	7,4	0,0	876	-
21	6,9	6,1	0,8	876	701
18	6,5	5,0	1,5	1752	2.628
14	5,6	3,8	1,8	1752	3.154
10	5,1	2,8	2,3	1752	4.030
<b>YEARLY ENERGY SAVINGS (kWh)</b>					<b>10.512</b>

**TYPICAL APPLICATIONS OF e-SV™ SERIES ELECTRIC PUMPS**
**WATER SUPPLY AND PRESSURE BOOSTING**

- Pressure boosting in building, hotel, residential complexes.
- Pressure booster stations, supply of water networks.
- Booster packages.

**WATER TREATMENT**

- Ultrafiltration systems.
- Reverse osmosis systems.
- Water softeners and de-mineralization.
- Distillation systems.
- Filtration.

**LIGHT INDUSTRY**

- Washing and cleaning plants (washing and degreasing of mechanical parts, car and truck wash tunnels, washing of electronic industry circuits).
- Commercial washers.
- Firefighting system pumps.

**PHARMACEUTICAL AND FOOD & BEVERAGE INDUSTRIES**

- Production plant where specific sanitary standards are required.

**IRRIGATION AND AGRICULTURE**

- Greenhouses.
- Humidifiers.
- Sprinkler irrigation.

**HEATING, VENTILATION AND AIR CONDITIONING (HVAC)**

- Cooling towers and systems.
- Temperature control systems.
- Refrigerators.
- Induction heating.
- Heat exchangers.
- Boilers, water recirculation and heating.



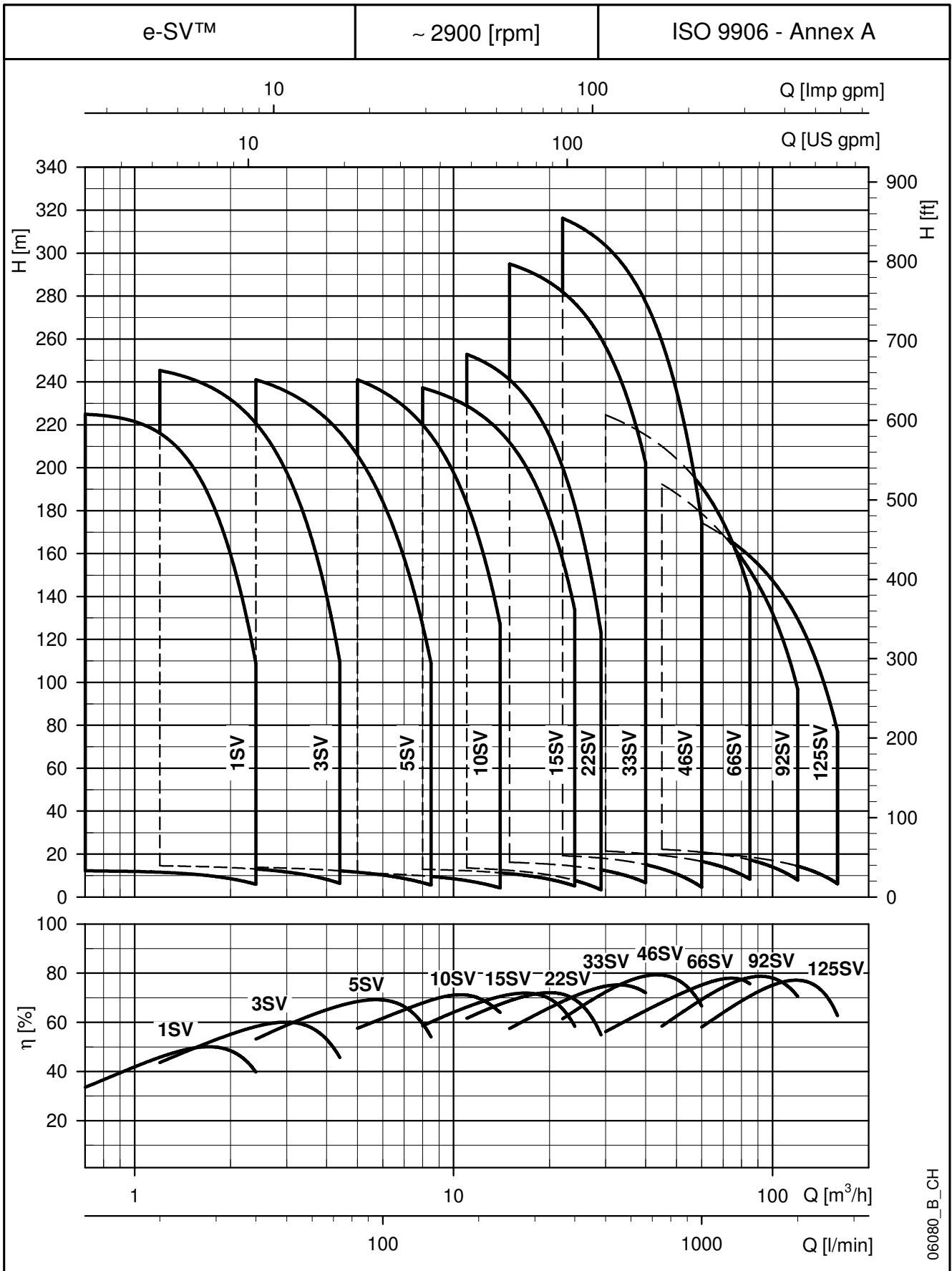


# ITT

# Lowara

## e-SV™ SERIES

### HYDRAULIC PERFORMANCE RANGE AT 50 Hz, 2 POLES



06080\_B\_CH



# ITT

# Lowara

## 1, 3, 5SV SERIES HYDRAULIC PERFORMANCE TABLE AT 50 Hz, 2 POLES

PUMP TYPE	RATED POWER		Q = DELIVERY													
	kW	HP	l/min 0	12	20	25	30	35	40	45	50	60	73	100	120	141
			m <sup>3</sup> /h 0	0,7	1,2	1,5	1,8	2,1	2,4	2,7	3,0	3,6	4,4	6,0	7,2	8,5
H = TOTAL HEAD IN METRES OF COLUMN OF WATER																
1SV02	0,37	0,5	12,2	12,2	11,5	10,7	9,5	7,9	6,0							
1SV03	0,37	0,5	18,0	18,0	17,0	15,7	13,8	11,4	8,4							
1SV04	0,37	0,5	23,7	23,5	22,1	20,4	17,9	14,6	10,6							
1SV05	0,37	0,5	29,3	28,9	27,0	24,8	21,6	17,4	12,5							
1SV06	0,37	0,5	34,8	34,2	31,7	28,9	25,0	20,0	14,0							
1SV07	0,37	0,5	40,2	39,2	36,1	32,7	28,1	22,2	15,2							
1SV08	0,55	0,75	48,1	47,9	45,2	41,8	36,8	30,4	22,4							
1SV09	0,55	0,75	53,7	53,4	50,4	46,4	40,8	33,5	24,6							
1SV10	0,55	0,75	59,4	59,0	55,5	51,0	44,7	36,6	26,6							
1SV11	0,55	0,75	65,1	64,5	60,4	55,5	48,5	39,5	28,5							
1SV12	0,75	1	73,3	73,1	69,3	64,3	57,1	47,6	35,7							
1SV13	0,75	1	79,2	78,9	74,8	69,4	61,6	51,2	38,2							
1SV15	0,75	1	90,9	90,5	85,6	79,3	70,1	58,1	43,1							
1SV17	1,1	1,5	105,2	104,9	100,0	93,1	82,6	68,6	51,2							
1SV19	1,1	1,5	117,0	116,7	111,0	103,2	91,5	75,8	56,3							
1SV22	1,1	1,5	134,6	134,1	127,4	118,1	104,4	86,1	63,5							
1SV25	1,5	2	152,6	152,4	145,5	135,4	120,0	99,1	72,7							
1SV27	1,5	2	164,3	164,0	156,4	145,4	128,8	106,1	77,5							
1SV30	1,5	2	181,7	181,3	172,6	160,1	141,2	115,7	83,9							
1SV32	2,2	3	197,2	197,1	188,4	175,8	156,5	130,0	96,3							
1SV34	2,2	3	209,2	208,9	199,8	186,3	165,5	137,1	101,2							
1SV37	2,2	3	225,9	224,9	216,1	201,9	179,3	148,1	108,7							
3SV02	0,37	0,5	14,9		14,5	14,3	14,0	13,5	13,0	12,4	11,7	9,8	6,5			
3SV03	0,37	0,5	22,0		21,2	20,8	20,3	19,6	18,7	17,7	16,6	13,7	8,6			
3SV04	0,37	0,5	28,9		27,7	27,1	26,2	25,2	23,9	22,5	20,8	16,8	10,1			
3SV05	0,55	0,75	37,2		36,4	35,8	35,0	33,9	32,6	31,1	29,2	24,5	16,2			
3SV06	0,55	0,75	44,4		43,4	42,6	41,6	40,2	38,6	36,6	34,3	28,5	18,5			
3SV07	0,75	1	52,5		51,8	51,0	50,0	48,7	47,0	45,0	42,5	36,1	24,6			
3SV08	0,75	1	60,0		59,1	58,2	57,0	55,4	53,4	51,0	48,1	40,7	27,5			
3SV09	1,1	1,5	67,7		66,8	65,8	64,5	62,8	60,6	57,9	54,6	46,4	31,6			
3SV10	1,1	1,5	75,0		73,8	72,7	71,3	69,3	66,9	63,8	60,2	51,0	34,5			
3SV11	1,1	1,5	82,3		81,0	79,7	78,0	75,8	73,1	69,7	65,7	55,5	37,4			
3SV12	1,1	1,5	89,6		87,8	86,4	84,5	82,1	79,1	75,5	71,1	59,9	40,1			
3SV13	1,5	2	98,1		96,7	95,4	93,5	91,0	87,8	83,9	79,2	67,2	45,6			
3SV14	1,5	2	105,6		104,1	102,5	100,4	97,7	94,2	89,9	84,8	71,8	48,5			
3SV16	1,5	2	119,9		117,8	116,1	113,6	110,5	106,5	101,6	95,8	80,9	54,2			
3SV19	2,2	3	144,3		142,3	140,3	137,5	133,9	129,2	123,5	116,7	99,1	67,6			
3SV21	2,2	3	159,3		156,9	154,6	151,4	147,3	142,1	135,7	128,0	108,5	73,6			
3SV23	2,2	3	174,0		171,1	168,5	165,0	160,4	154,7	147,6	139,2	117,7	79,4			
3SV25	2,2	3	188,5		186,1	183,3	179,3	174,1	167,6	159,7	150,3	126,6	84,8			
3SV27	3	4	204,4		201,7	198,8	194,7	189,4	182,7	174,4	164,5	139,4	94,4			
3SV29	3	4	219,3		216,0	212,8	208,3	202,6	195,3	186,4	175,7	148,6	100,2			
3SV31	3	4	233,8		230,3	226,8	222,0	215,7	207,8	198,2	186,7	157,6	106,0			
3SV33	3	4	248,5		245,3	241,5	236,2	229,3	220,7	210,2	197,7	166,3	111,2			
5SV02	0,37	0,5	14,8						13,8	13,7	13,4	13,0	12,2	10,2	8,2	5,7
5SV03	0,55	0,75	21,8						19,9	19,6	19,2	18,4	17,1	13,9	10,8	6,9
5SV04	0,55	0,75	30,0						28,2	27,9	27,5	26,6	25,2	21,2	17,3	12,2
5SV05	0,75	1	38,0						36,4	36,0	35,5	34,5	32,9	28,2	23,5	17,1
5SV06	1,1	1,5	45,3						43,7	43,3	42,8	41,6	39,6	33,9	28,1	20,3
5SV07	1,1	1,5	52,7						50,7	50,1	49,5	48,1	45,8	39,1	32,2	23,1
5SV08	1,1	1,5	60,1						57,6	57,0	56,2	54,6	51,8	44,1	36,2	25,8
5SV09	1,5	2	68,0						65,5	64,8	64,0	62,2	59,3	50,6	41,9	30,2
5SV10	1,5	2	75,5						72,4	71,7	70,8	68,7	65,4	55,7	46,0	33,0
5SV11	1,5	2	82,8						79,3	78,4	77,5	75,2	71,4	60,7	49,9	35,6
5SV12	2,2	3	90,8						88,0	87,0	86,0	83,4	79,3	67,4	55,7	40,5
5SV13	2,2	3	98,3						95,0	94,0	92,8	90,0	85,5	72,6	59,9	43,5
5SV14	2,2	3	105,7						102,0	100,9	99,6	96,6	91,7	77,8	64,0	46,3
5SV15	2,2	3	113,1						109,0	107,8	106,4	103,1	97,8	82,8	68,1	49,1
5SV16	2,2	3	120,5						115,9	114,6	113,1	109,6	103,9	87,8	72,1	51,8
5SV18	3	4	135,8						131,1	129,7	128,0	124,1	117,8	99,9	82,3	59,5
5SV21	3	4	157,9						152,0	150,3	148,3	143,6	136,1	114,9	94,2	67,6
5SV23	4	5,5	174,4						168,9	167,2	165,1	160,2	152,3	129,6	107,2	78,2
5SV25	4	5,5	189,2						183,1	181,1	178,9	173,5	164,8	140,1	115,7	84,1
5SV28	4	5,5	211,5						204,2	201,9	199,4	193,3	183,4	155,5	128,0	92,7
5SV30	5,5	7,5	227,0						219,8	217,5	214,8	208,4	198,1	168,5	139,3	101,5
5SV33	5,5	7,5	249,2						241,0	238,4	235,5	228,4	216,9	184,2	151,9	110,3



# ITT

# Lowara

## 10, 15, 22SV SERIES HYDRAULIC PERFORMANCE TABLE AT 50 Hz, 2 POLES

PUMP TYPE	RATED POWER		Q = DELIVERY													
			l/min 0	83,34	100	133	170	183,34	233	270	330	350	400	430	460	483,33
	kW	HP	m <sup>3</sup> /h 0	5,0	6,0	8,0	10,2	11,0	14,0	16,2	19,8	21,0	24,0	25,8	27,6	29,0
H = TOTAL HEAD IN METRES OF COLUMN OF WATER																
10SV01	0,75	1	11,8	11,2	10,9	9,9	8,3	7,6	4,3							
10SV02	0,75	1	23,6	21,9	21,3	19,6	17,0	15,8	10,0							
10SV03	1,1	1,5	35,7	33,0	32,1	29,6	25,8	24,1	16,0							
10SV04	1,5	2	47,7	44,2	43,0	39,9	34,8	32,6	21,7							
10SV05	2,2	3	60,0	56,1	54,7	50,9	44,9	42,2	29,0							
10SV06	2,2	3	71,8	66,8	65,0	60,4	53,1	49,8	33,9							
10SV07	3	4	83,6	78,3	76,2	70,8	62,1	58,3	39,8							
10SV08	3	4	95,3	88,9	86,5	80,1	70,2	65,7	44,5							
10SV09	4	5,5	106,3	100,1	97,5	90,8	80,0	75,1	52,1							
10SV10	4	5,5	118,0	110,8	107,9	100,3	88,2	82,8	57,2							
10SV11	4	5,5	129,6	121,3	118,1	109,6	96,3	90,3	62,1							
10SV13	5,5	7,5	156,0	146,5	142,7	132,6	116,4	109,2	74,3							
10SV15	5,5	7,5	179,5	167,9	163,4	151,6	132,8	124,3	83,9							
10SV17	7,5	10	205,0	193,2	188,5	175,7	154,7	145,2	98,8							
10SV18	7,5	10	216,9	204,2	199,1	185,5	163,2	153,1	104,0							
10SV20	7,5	10	240,6	226,0	220,3	205,0	180,2	168,9	114,3							
10SV21	11	15	253,6	241,0	235,5	220,2	195,0	183,5	127,5							
15SV01	1,1	1,5	14,0			12,9	12,4	12,2	11,3	10,4	8,4	7,6	5,1			
15SV02	2,2	3	28,7			26,7	25,9	25,5	23,9	22,4	18,9	17,4	13,1			
15SV03	3	4	43,3			40,4	39,1	38,6	36,2	33,8	28,7	26,5	20,1			
15SV04	4	5,5	58,4			54,7	53,1	52,5	49,4	46,3	39,7	36,9	28,7			
15SV05	4	5,5	72,7			67,8	65,8	65,0	61,0	57,1	48,7	45,2	34,9			
15SV06	5,5	7,5	87,6			81,5	79,4	78,4	74,1	69,9	60,3	56,3	44,2			
15SV07	5,5	7,5	101,9			94,5	91,9	90,8	85,7	80,6	69,4	64,7	50,5			
15SV08	7,5	10	117,4			110,9	108,0	106,8	100,8	94,9	82,0	76,7	60,6			
15SV09	7,5	10	131,9			124,4	121,0	119,6	112,8	106,1	91,5	85,5	67,4			
15SV10	11	15	147,7			138,8	135,3	133,8	126,7	119,6	103,9	97,4	77,5			
15SV11	11	15	162,3			152,4	148,5	146,8	138,9	131,1	113,8	106,5	84,7			
15SV13	11	15	191,3			179,2	174,5	172,5	163,1	153,7	133,1	124,5	98,6			
15SV15	15	20	222,1			209,9	204,8	202,6	192,2	181,7	158,3	148,5	118,8			
15SV17	15	20	251,6			237,3	231,4	228,9	216,9	205,0	178,4	167,3	133,6			
22SV01	1,1	1,5	14,7					13,5	12,7	12,0	10,4	9,7	7,7	6,3	4,7	3,4
22SV02	2,2	3	30,4					28,4	27,2	26,0	23,3	22,2	18,9	16,6	13,8	11,5
22SV03	3	4	45,4					42,2	40,4	38,5	34,5	32,8	27,8	24,2	20,2	16,6
22SV04	4	5,5	60,9					56,8	54,4	51,9	46,6	44,4	37,9	33,1	27,7	23,0
22SV05	5,5	7,5	76,0					70,9	67,9	64,9	58,3	55,6	47,4	41,4	34,7	28,8
22SV06	7,5	10	93,2					88,8	85,7	82,5	75,4	72,4	63,3	56,7	49,1	42,6
22SV07	7,5	10	108,5					103,1	99,4	95,7	87,2	83,7	73,1	65,3	56,5	48,8
22SV08	11	15	124,6					119,2	115,2	111,0	101,6	97,7	85,7	77,0	66,9	58,2
22SV09	11	15	140,1					133,7	129,2	124,4	113,8	109,3	95,8	86,0	74,6	64,8
22SV10	11	15	155,4					148,2	143,1	137,8	125,9	120,9	105,8	94,8	82,3	71,3
22SV12	15	20	186,1					178,6	172,9	166,8	152,9	147,0	129,1	115,9	100,7	87,4
22SV14	15	20	216,6					207,7	200,9	193,7	177,4	170,4	149,4	133,9	116,1	100,6
22SV17	18,5	25	263,5					252,8	244,7	236,0	216,2	207,8	182,3	163,6	142,0	123,2

Performances in compliance with ISO 9906 - Annex A.

10-22sv-2p50-en\_b\_th

**33, 46SV SERIES  
HYDRAULIC PERFORMANCE TABLE AT 50 Hz, 2 POLES**

PUMP TYPE	RATED POWER		Q = DELIVERY										
	kW	HP	l/min 0	250	300	367	417	500	583	667	750	900	1000
			m <sup>3</sup> /h 0	15	18	22	25	30	35	40	45	54	60
H = TOTAL HEAD METRES COLUMN OF WATER													
33SV1/1A	2,2	3	17,4	16,2	15,7	15	14	12,2	9,8	6,7			
33SV1	3	4	23,8	21,7	21,2	20	20	17,8	15,5	12,7			
33SV2/2A	4	5,5	35,1	34,1	33,3	32	30	27	22,4	16,6			
33SV2/1A	4	5,5	40,8	38,8	37,9	36	35	32	27,5	22,3			
33SV2	5,5	7,5	47,8	45	44,1	43	41	39	35	29,9			
33SV3/2A	5,5	7,5	57,7	55,2	53,8	51	49	44	38	29,6			
33SV3/1A	7,5	10	64,5	61,3	60	58	56	51	45	37			
33SV3	7,5	10	71,5	67,4	66,0	64	62	58	52,0	44,6			
33SV4/2A	7,5	10	82	78,8	77	74	72	66	58	47,2			
33SV4/1A	11	15	88,9	85	83	81	78	73	65	55,1			
33SV4	11	15	95,9	91,1	90	87	85	80	73	63,1			
33SV5/2A	11	15	106	101,6	100	96	93	85	76	63			
33SV5/1A	11	15	112,7	107,2	105	102	99	92	82	70			
33SV5	15	20	120,4	114,9	113	110	107	101	92	80,5			
33SV6/2A	15	20	131,2	126,9	125	120	116	108	96	81,2			
33SV6/1A	15	20	139,1	133,5	131	128	124	116	105	90,4			
33SV6	15	20	145,6	139	137	133	129	121	110	96,1			
33SV7/2A	15	20	156	149,9	147	143	138	128	115	98,2			
33SV7/1A	18,5	25	163,3	156,6	154	150	145	136	123	106,2			
33SV7	18,5	25	170,3	162,8	160	156	152	142	130	113,3			
33SV8/2A	18,5	25	180,6	173,7	171	166	161	150	135	115,3			
33SV8/1A	18,5	25	187,4	179,5	177	171	166	156	141	121,7			
33SV8	22	30	194,1	185,1	182	177	172	161	147	128			
33SV9/2A	22	30	202,1	194,1	191	185	179	166	150	127,9			
33SV9/1A	22	30	210,2	201,2	198	192	186	174	157	135,9			
33SV9	22	30	216,8	206,8	204	198	193	181	165	143,7			
33SV10/2A	22	30	226,4	217,2	213	207	200	186	168	143,9			
33SV10/1A	30	40	234,5	225	221	215	209	196	178	154,2			
33SV10	30	40	241,8	231,3	228	222	216	203	185	162,2			
33SV11/2A	30	40	252	244	240	233	226	211	190	163,7			
33SV11/1A	30	40	259	249,2	245	238	232	217	197	171			
33SV11	30	40	265,7	253,6	250	243	236	222	203	176,9			
33SV12/2A	30	40	275,9	266,2	262	254	246	229	207	178,3			
33SV12/1A	30	40	282,8	271,5	267	260	252	236	214	185,6			
33SV12	30	40	289,8	276,7	272	265	258	242	221	192,9			
33SV13/2A	30	40	300,5	291,1	286	278	270	252	228	197,6			
33SV13/1A	30	40	306,9	294,9	290	282	274	256	233	202,4			
46SV1/1A	3	4	19,5			19,2	18,8	17,9	16,7	15,1	13,1	8,5	4,6
46SV1	4	5,5	27,2			24	23,5	22,5	21,4	19,9	18,2	14,3	10,8
46SV2/2A	5,5	7,5	38,8			39,8	39,2	37,8	35,7	32,9	29,4	21,1	13,9
46SV2	7,5	10	52,6			48,5	47,7	46,1	44,2	41,7	38,7	31,4	25,1
46SV3/2A	11	15	64,7			65,1	64	62	60	56	52	40,4	30,8
46SV3	11	15	80,8			74,3	73	71	68	65	60	50	40,7
46SV4/2A	15	20	92,4			90,7	90	87	83	79	73	58	45,6
46SV4	15	20	107,3			99,8	98	96	92	87	82	68	55,9
46SV5/2A	18,5	25	117,2			114,8	113	110	106	100	93	75	60,2
46SV5	18,5	25	134,5			125,1	123	120	116	110	103	86	71,5
46SV6/2A	22	30	143,7			139,3	138	134	129	122	113	92	73,4
46SV6	22	30	161			149,9	148	144	139	132	124	104	86
46SV7/2A	30	40	171,3			164,9	163	158	152	144	134	110	88,6
46SV7	30	40	188,6			175,5	173	168	162	155	145	122	101,2
46SV8/2A	30	40	198,2			190	188	182	176	166	155	127	103,1
46SV8	30	40	213,1			198,6	196	191	184	175	164	137	112,6
46SV9/2A	30	40	224,8			214,5	212	206	198	187	174	143	116
46SV9	37	50	240,9			225,2	222	217	209	199	187	157	130,2
46SV10/2A	37	50	252,7			241,1	238	232	223	212	198	164	133,9
46SV10	37	50	267,6			250,3	247	241	232	221	208	174	144,8
46SV11/2A	45	60	280,4			267,4	264	258	249	237	222	184	151,1
46SV11	45	60	295,5			276,4	273	266	257	245	230	194	161,3
46SV12/2A	45	60	307,3			292,5	289	282	272	259	243	202	165,8
46SV12	45	60	321,8			301	297	290	280	267	250	210	175
46SV13/2A	45	60	332,5			316,2	312	304	292	277	259	214	175





# ITT

# Lowara

## 66, 92, 125SV SERIES HYDRAULIC PERFORMANCE TABLE AT 50 Hz, 2 POLES

PUMP TYPE	RATED POWER		Q = DELIVERY													
			l/min 0	500	600	700	750	900	1000	1200	1300	1417	1600	1800	2000	
	kW	HP	m <sup>3</sup> /h 0	30	36	42	45	54	60	72	78	85	96	108	120	
H = TOTAL HEAD METRES COLUMN OF WATER																
66SV1/1A	4	5,5	23,8	21,4	20,7	19,9	19,4	17,8	16,6	13,3	11,2	8,3				
66SV1	5,5	7,5	29,2	25,8	24,8	23,8	23,3	21,8	20,7	17,9	16,1	13,5				
66SV2/2A	7,5	10	47,5	42,6	41,2	39,5	38,6	36	32,9	26,4	22,2	16,4				
66SV2/1A	11	15	54,2	49,6	48,2	46,7	45,8	42,9	40,6	34,8	31,2	26,2				
66SV2	11	15	60,4	55,7	54,4	52,8	52	49,3	47,1	42	38,9	34,7				
66SV3/2A	15	20	78,4	71,6	70	67	66	62	58	49	43,3	35,3				
66SV3/1A	15	20	84,7	77,8	76	74	72	68	65	56	51	44,0				
66SV3	18,5	25	91,4	84,7	83	81	79	75	72	64	60	53,5				
66SV4/2A	18,5	25	108,9	99,6	97	94	92	86	82	70	63	52,8				
66SV4/1A	22	30	115,2	105,9	103	100	99	93	89	78	71	61,8				
66SV4	22	30	121,6	112,5	110	107	105	100	96	86	79	70,8				
66SV5/2A	30	40	139,1	127,5	124	120	118	111	106	92	83	70,4				
66SV5/1A	30	40	145,6	134	131	127	125	118	112	99	91	79,5				
66SV5	30	40	152	140,4	137	133	131	125	119	107	99	88,5				
66SV6/2A	30	40	169,5	155,6	152	147	144	136	129	113	103	88,1				
66SV6/1A	30	40	176	162	158	153	151	143	136	121	111	97,2				
66SV6	37	50	182,4	168,5	164	160	158	150	143	128	119	106,2				
66SV7/2A	37	50	199,9	183,7	179	174	171	161	153	134	122	105,8				
66SV7/1A	37	50	206,4	190,1	185	180	177	168	160	142	131	114,9				
66SV7	45	60	212,8	196,5	192	187	184	174	167	150	139	123,9				
66SV8/2A	45	60	230,3	211,8	206	200	197	186	177	156	142	123,5				
66SV8/1A	45	60	236,8	218,2	213	207	204	193	184	163	150	132,6				
66SV8	45	60	243,2	224,6	219	213	210	199	191	171	159	141,6				
92SV1/1A	5,5	7,5	24,5				22,2	21,5	20,9	19,4	18,5	17,3	15	11,8	7,9	
92SV1	7,5	10	33,5				28,7	27,2	26,2	24,3	23,3	22,2	20,2	17,6	14,3	
92SV2/2A	11	15	49,4				45,1	43,7	42,5	39,6	37,9	35,5	30,9	24,6	16,8	
92SV2	15	20	67,8				58,2	55	53	49,5	47,6	45,2	41,4	36,3	29,6	
92SV3/2A	18,5	25	82,4				74,4	72	70	65	62	59	52	43,6	32,9	
92SV3	22	30	102,2				88,2	84	81	76	73	69	63	56	46,3	
92SV4/2A	30	40	115,7				104	100	97	90	87	82	74	63	49	
92SV4	30	40	133,1				117	112	108	101	97	92	85	75	62,5	
92SV5/2A	37	50	149				133,2	128	124	116	111	105	95	81	64,6	
92SV5	37	50	166,4				146,3	140	135	126	121	115	106	94	78,1	
92SV6/2A	45	60	183,3				163,1	156	152	141	135	129	117	101	81	
92SV6	45	60	200,9				175,9	168	163	151	146	139	127	113	94,2	
92SV7/2A	45	60	216,8				192,4	184	179	167	160	152	138	120	96,7	

Performances in compliance with ISO 9906 - Annex A.

66-92sv-2p50-en\_a\_th

PUMP TYPE	RATED POWER		Q = DELIVERY													
			l/min 0	500	600	750	900	1000	1200	1416	1700	1900	2000	2150	2300	2666
	kW	HP	m <sup>3</sup> /h 0	30,0	36,0	45,0	54,0	60,0	72,0	85,0	102,0	114,0	120,0	129,0	138,0	160,0
H = TOTAL HEAD IN METRES OF COLUMN OF WATER																
125SV1	7,5	10	27,6					20,8	19,8	18,6	16,8	15,3	14,4	12,9	11,3	6,2
125SV2	15	20	53,8					44,4	42,5	40,4	37,1	34,4	32,9	30,4	27,7	19,6
125SV3	22	30	80,7					66,5	63,8	60,6	55,7	51,6	49,4	45,7	41,5	29,4
125SV4	30	40	107,6					88,7	85,0	80,7	74,2	68,8	65,8	60,9	55,4	39,2
125SV5	37	50	134,5					110,9	106,3	100,9	92,8	86,0	82,3	76,1	69,2	49,0
125SV6	45	60	161,4					133,1	127,6	121,1	111,3	103,2	98,7	91,3	83,1	58,8
125SV7	55	75	188,3					155,2	148,8	141,3	129,9	120,4	115,2	106,6	96,9	68,6
125SV8/2A	55	75	211,5					174,4	167,2	158,7	145,9	135,3	129,4	119,7	108,9	77,1

Performances in compliance with ISO 9906 - Annex A.

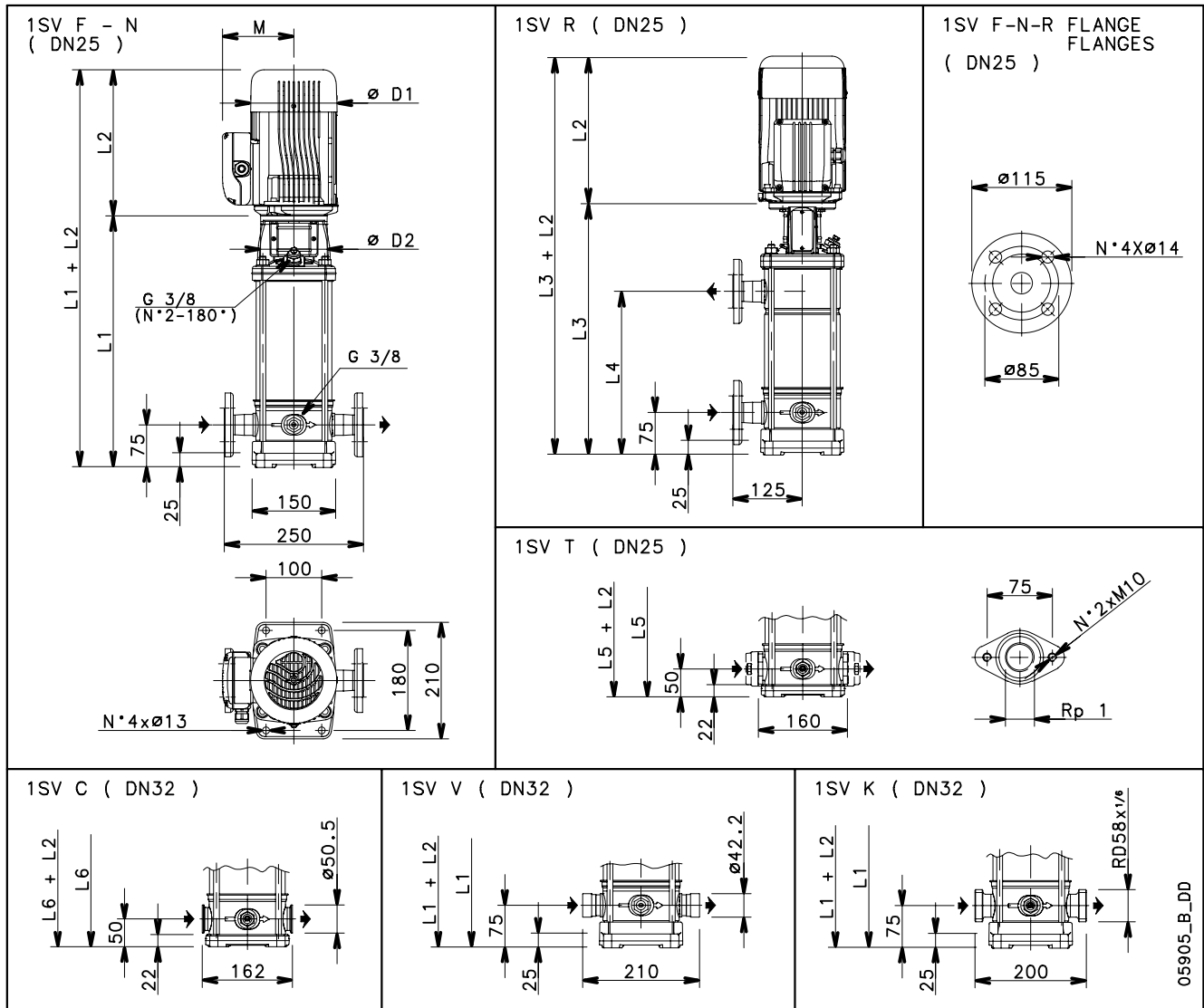
125sv-2p50\_a\_th



# ITT

# Lowara

## 1SV SERIES, 2 TO 15 STAGES DIMENSIONS AND WEIGHTS AT 50 Hz, 2 POLES



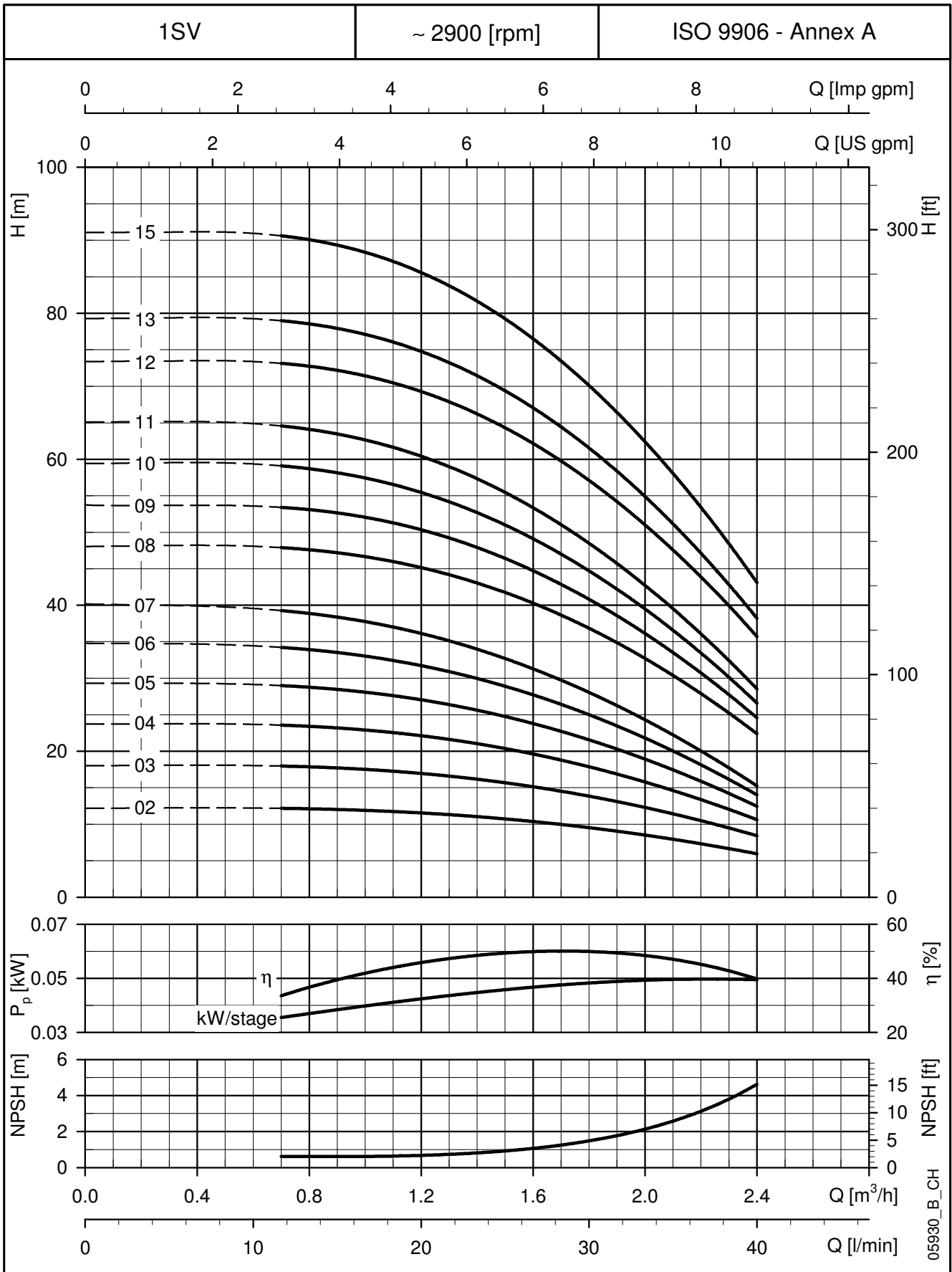
PUMP TYPE	MOTOR		DIMENSIONS (mm)												WEIGHT kg	
	kw	SIZE	L1	L2		L3	L4	L5	L6	M		D1		D2	PUMP	ELECTRIC
1SV02	0,37	71	278	209	209	-	-	253	253	111	111	120	120	105	8,3	13
1SV03	0,37	71	278	209	209	-	-	253	253	111	111	120	120	105	8,6	13,4
1SV04	0,37	71	298	209	209	-	-	273	273	111	111	120	120	105	9	13,8
1SV05	0,37	71	318	209	209	-	-	293	293	111	111	120	120	105	9,4	14,2
1SV06	0,37	71	338	209	209	-	-	313	313	111	111	120	120	105	9,8	14,6
1SV07	0,37	71	358	209	209	358	207	333	333	111	111	120	120	105	10,2	14,9
1SV08	0,55	71	378	231	231	378	227	353	353	121	121	140	140	105	10,5	15,2
1SV09	0,55	71	398	231	231	398	247	373	373	121	121	140	140	105	10,9	15,6
1SV10	0,55	71	418	231	231	418	267	393	393	121	121	140	140	105	11,3	16
1SV11	0,55	71	438	231	231	438	287	413	413	121	121	140	140	105	11,7	16,4
1SV12	0,75	80	468	226	263	468	307	443	443	121	129	140	155	120	12,7	23,7
1SV13	0,75	80	488	226	263	488	327	463	463	121	129	140	155	120	13,1	24,1
1SV15	0,75	80	528	226	263	528	367	503	503	121	129	140	155	120	13,9	25



# ITT

# Lowara

## 1SV SERIES, 2 TO 15 STAGES OPERATING CHARACTERISTICS AT 50 Hz, 2 POLES



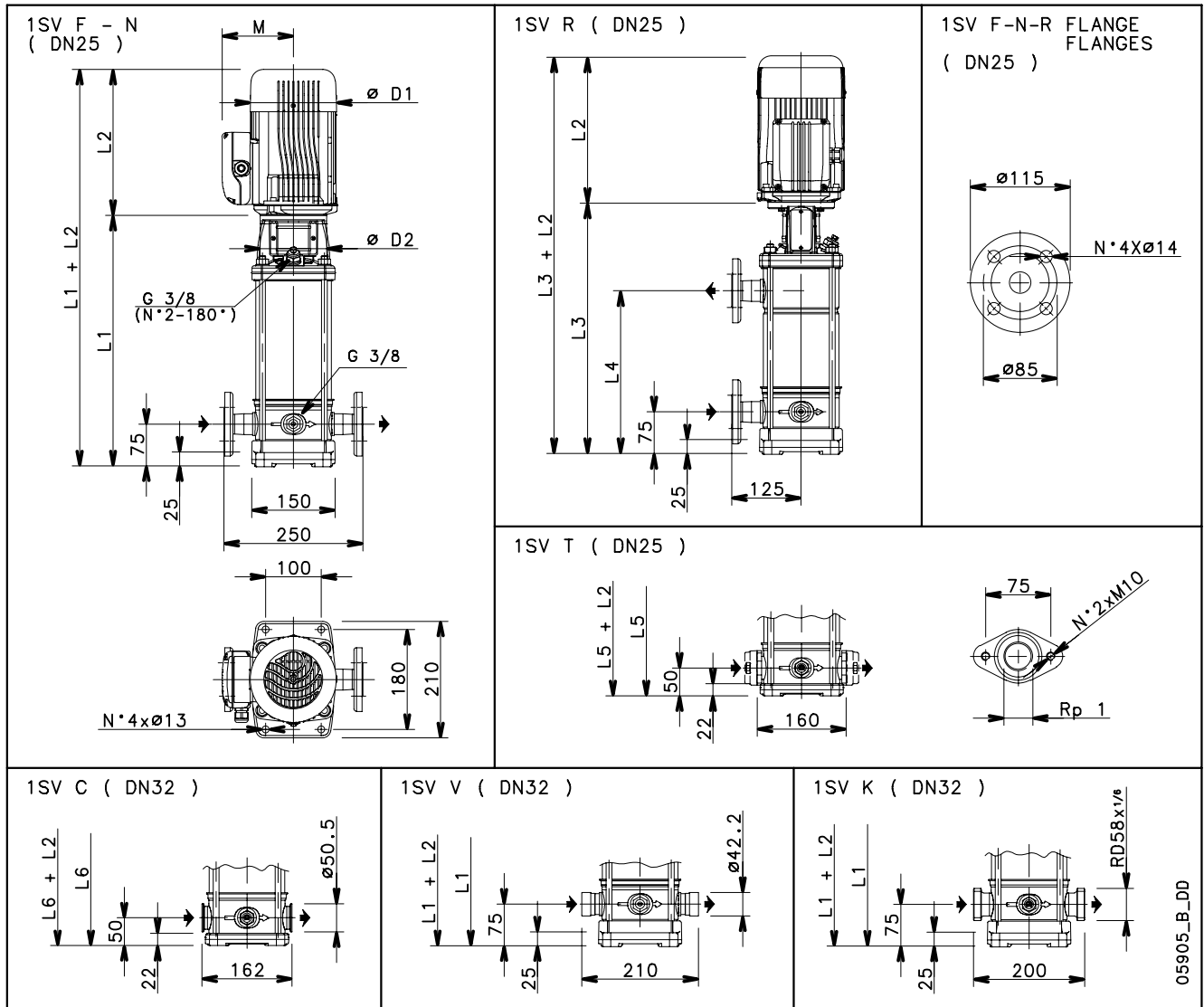
These performances are valid for liquids with density  $\rho = 1.0 \text{ Kg/dm}^3$  and kinematic viscosity  $\nu = 1 \text{ mm}^2/\text{sec}$ .



# ITT

# Lowara

## 1SV SERIES, 17 TO 37 STAGES DIMENSIONS AND WEIGHTS AT 50 Hz, 2 POLES



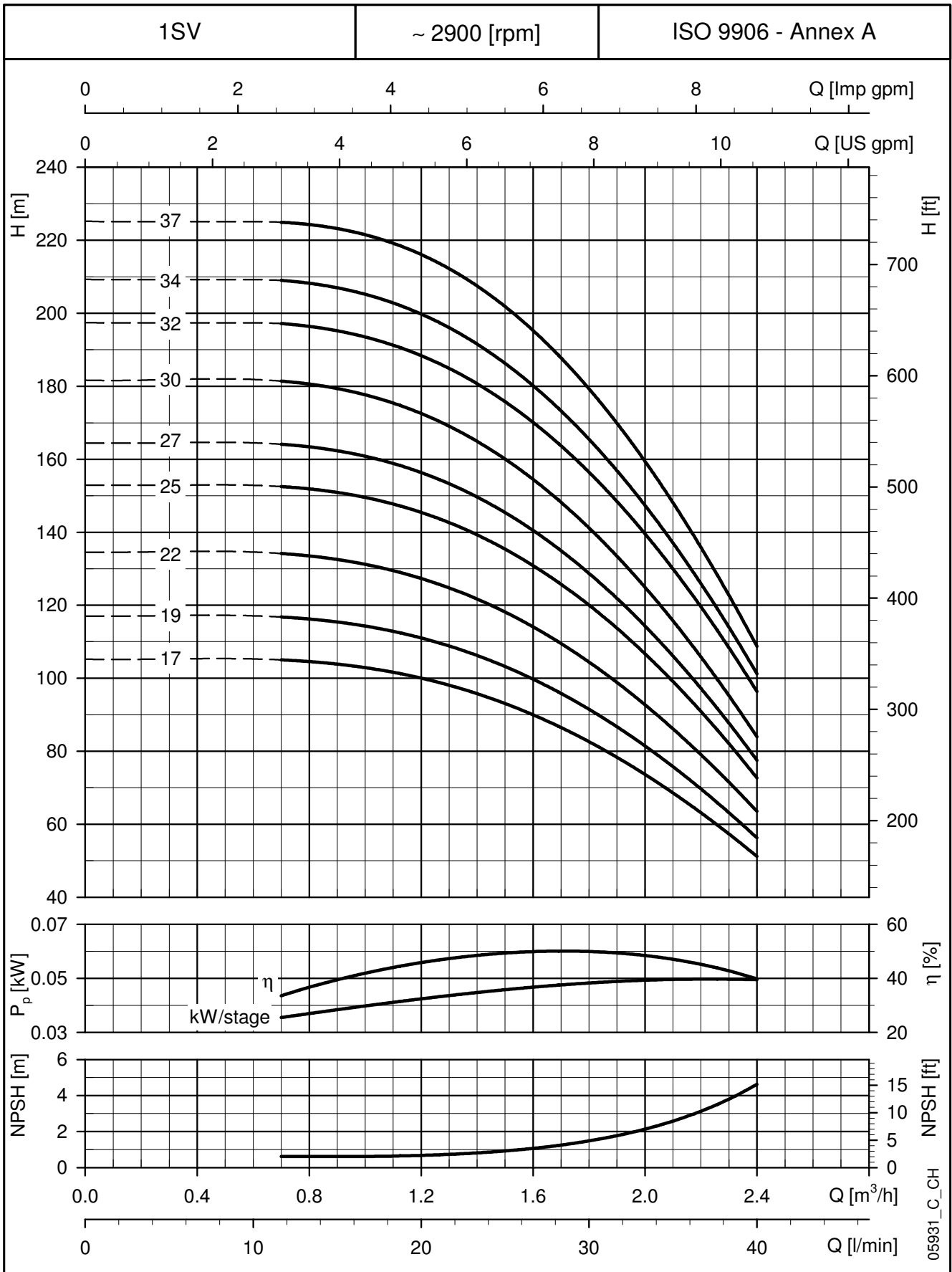
PUMP TYPE	MOTOR		DIMENSIONS (mm)												WEIGHT kg	
	kW	SIZE	L1	L2		L3	L4	L5	L6	M		D1		D2	PUMP	ELECTRIC PUMP
1SV17	1,1	80	568	263	263	568	407	543	543	137	129	155	155	120	14,7	28
1SV19	1,1	80	608	263	263	608	447	583	583	137	129	155	155	120	15,5	28,8
1SV22	1,1	80	668	263	263	668	507	643	643	137	129	155	155	120	16,7	30
1SV25	1,5	90	738	263	298	738	567	713	713	137	134	155	174	140	18,7	35,3
1SV27	1,5	90	778	263	298	778	607	-	753	137	134	155	174	140	19,5	36,1
1SV30	1,5	90	838	263	298	838	667	-	813	137	134	155	174	140	20,7	37
1SV32	2,2	90	878	298	298	878	707	-	853	151	134	174	174	140	21,5	37,8
1SV34	2,2	90	918	298	298	918	747	-	893	151	134	174	174	140	22,3	38,6
1SV37	2,2	90	978	298	298	978	807	-	953	151	134	174	174	140	23,5	39,8



# ITT

# Lowara

## 1SV SERIES, 17 TO 37 STAGES OPERATING CHARACTERISTICS AT 50 Hz, 2 POLES



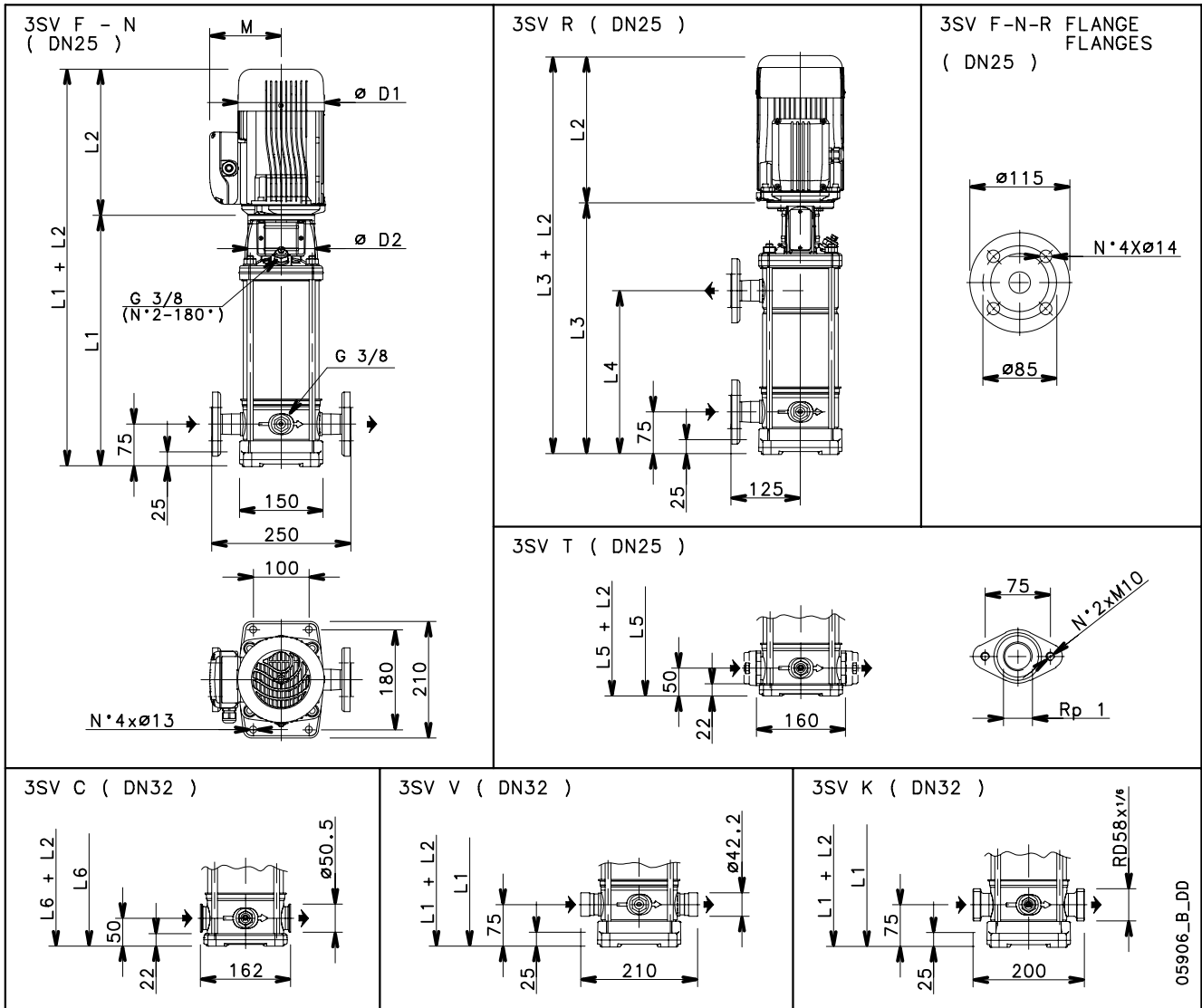
These performances are valid for liquids with density  $\rho = 1.0 \text{ Kg/dm}^3$  and kinematic viscosity  $\nu = 1 \text{ mm}^2/\text{sec}$ .



# ITT

# Lowara

## 3SV SERIES DIMENSIONS AND WEIGHTS AT 50 Hz, 2 POLES



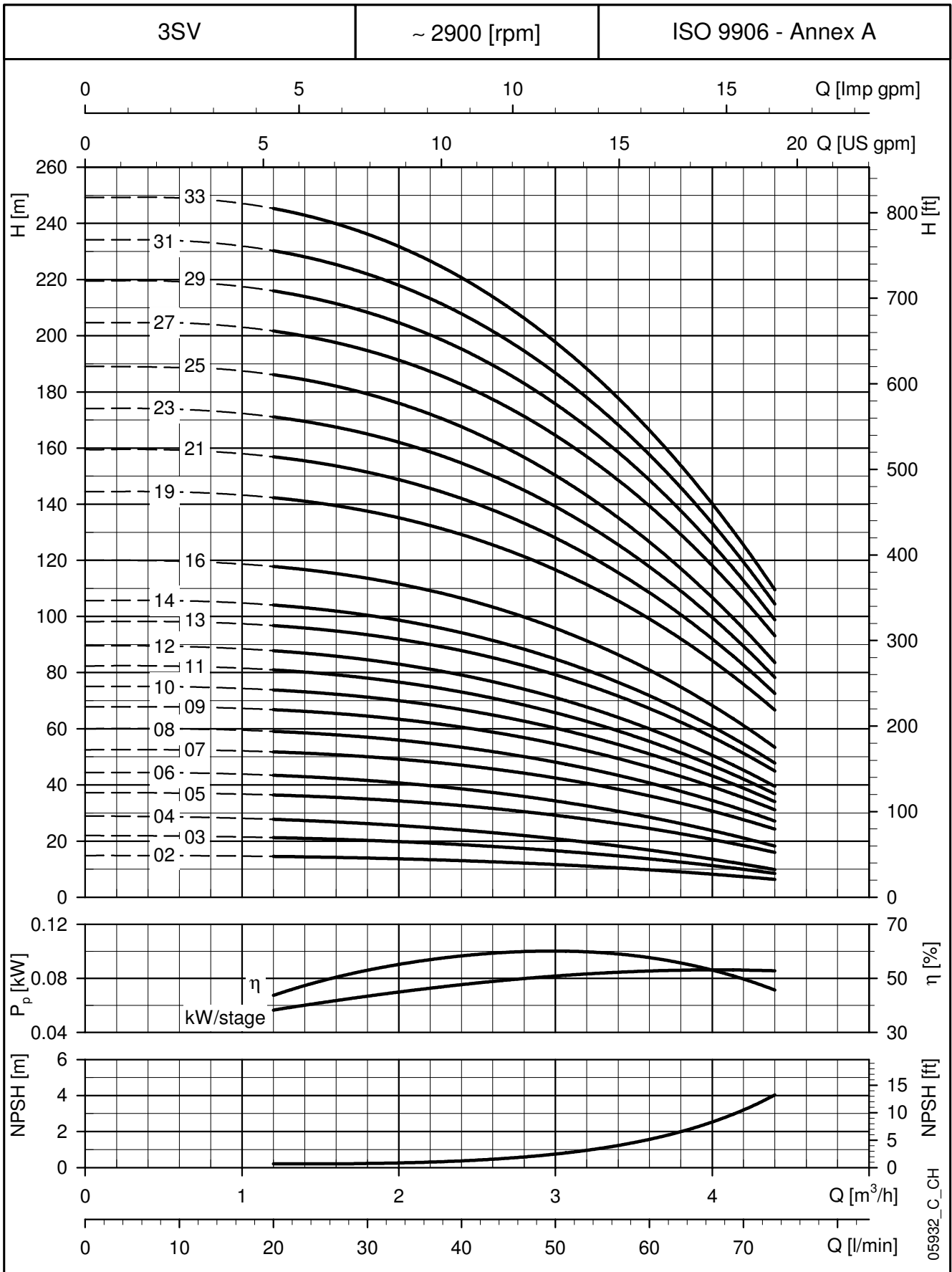
PUMP TYPE	MOTOR		DIMENSIONS (mm)													WEIGHT kg	
	KW	SIZE	L1	1 ~	3 ~	L3	L4	L5	L6	1 ~	3 ~	1 ~	3 ~	D2	PUMP	ELECTRIC	
3SV02	0,37	71	278	209	209	-	-	253	253	111	111	120	120	105	8	12,8	
3SV03	0,37	71	278	209	209	-	-	253	253	111	111	120	120	105	8,4	13,2	
3SV04	0,37	71	298	209	209	-	-	273	273	111	111	120	120	105	8,8	13,6	
3SV05	0,55	71	318	231	231	-	-	293	293	121	121	140	140	105	9,2	14	
3SV06	0,55	71	338	231	231	-	-	313	313	121	121	140	140	105	9,7	16,4	
3SV07	0,75	80	368	226	263	368	207	343	343	121	129	140	155	120	10,9	16,8	
3SV08	0,75	80	388	226	263	388	227	363	363	121	129	140	155	120	11,3	21,9	
3SV09	1,1	80	408	263	263	408	247	383	383	137	129	155	155	120	11,7	24,4	
3SV10	1,1	80	428	263	263	428	267	403	403	137	129	155	155	120	12,1	24,8	
3SV11	1,1	80	448	263	263	448	287	423	423	137	129	155	155	120	12,5	25,2	
3SV12	1,1	80	468	263	263	468	307	443	443	137	129	155	155	120	13,3	25,6	
3SV13	1,5	90	498	263	298	498	327	473	473	137	134	155	174	140	14	30,6	
3SV14	1,5	90	518	263	298	518	347	493	493	137	134	155	174	140	14,4	31	
3SV16	1,5	90	558	263	298	558	387	533	533	137	134	155	174	140	15,2	31,8	
3SV19	2,2	90	618	298	298	618	447	593	593	151	134	174	174	140	16,4	34,4	
3SV21	2,2	90	658	298	298	658	487	633	633	151	134	174	174	140	17,2	35,2	
3SV23	2,2	90	698	298	298	698	527	-	673	151	134	174	174	140	18	36	
3SV25	2,2	90	738	298	298	738	567	-	713	151	134	174	174	140	18,9	36,8	
3SV27	3	100	788	-	298	788	607	-	763	-	134	-	174	160	20,7	42,6	
3SV29	3	100	828	-	298	828	647	-	803	-	134	-	174	160	21,5	43,4	
3SV31	3	100	868	-	298	868	687	-	843	-	134	-	174	160	22,3	44,2	
3SV33	3	100	908	-	298	908	727	-	883	-	134	-	174	160	23,1	45	



# ITT

# Lowara

## 3SV SERIES OPERATING CHARACTERISTICS AT 50 Hz, 2 POLES



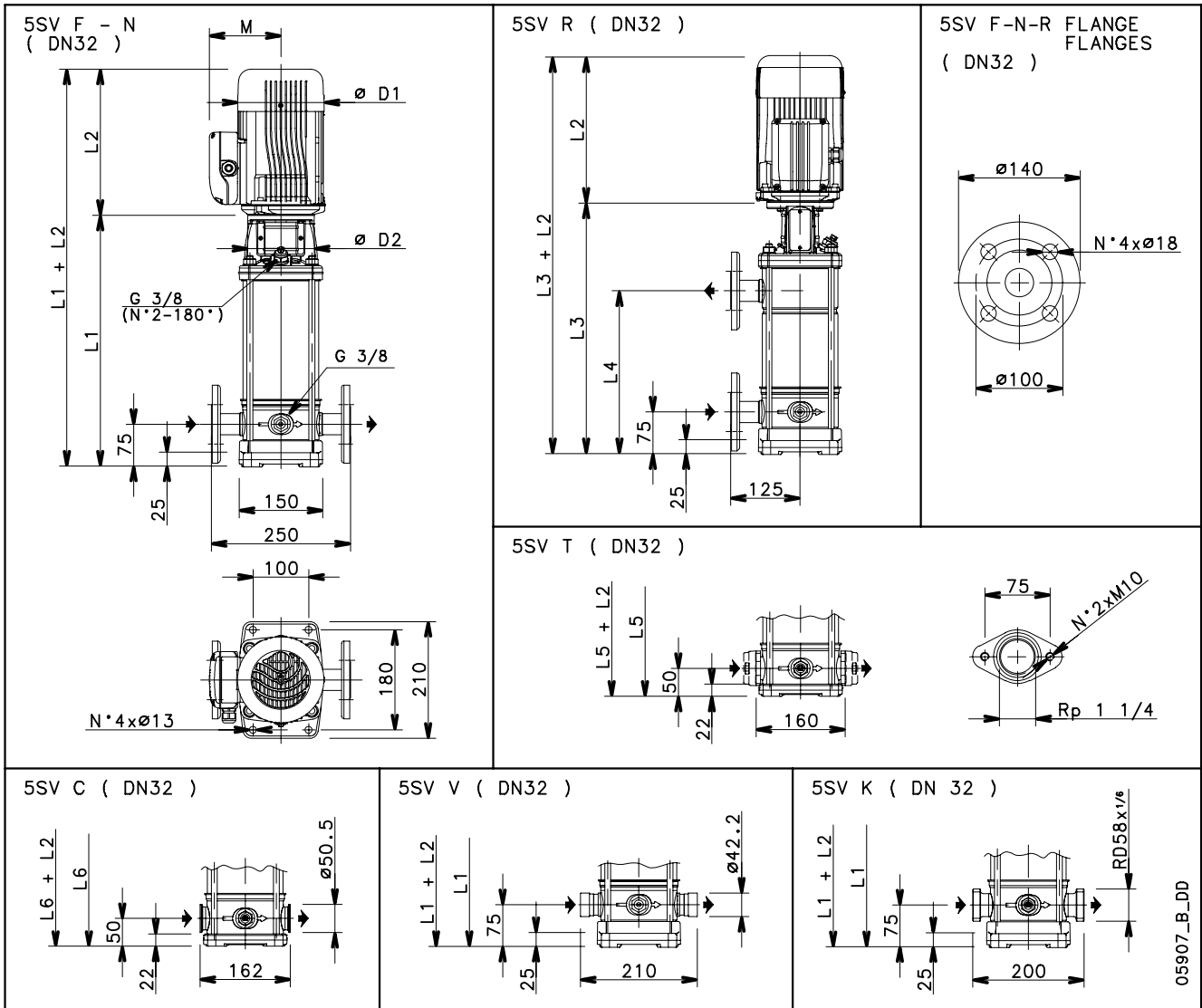
These performances are valid for liquids with density  $\rho = 1.0 \text{ Kg/dm}^3$  and kinematic viscosity  $\nu = 1 \text{ mm}^2/\text{sec}$ .



# ITT

# Lowara

## 5SV SERIES DIMENSIONS AND WEIGHTS AT 50 Hz, 2 POLES



PUMP TYPE	MOTOR		DIMENSIONS (mm)													WEIGHT kg	
	kw	SIZE	L1	L2		L3	L4	L5	L6	M		D1		D2	PUMP	ELECTRIC	
5SV02	0,37	71	268	209	209	-	-	243	243	111	111	120	120	105	8,4	13,2	
5SV03	0,55	71	293	231	231	-	-	268	268	121	121	140	140	105	8,9	15,7	
5SV04	0,55	71	318	231	231	-	-	293	293	121	121	140	140	105	9,4	16,1	
5SV05	0,75	80	353	226	263	-	-	328	328	121	129	140	155	120	10,5	21,5	
5SV06	1,1	80	378	263	263	-	-	353	353	137	129	155	155	120	11	23,6	
5SV07	1,1	80	403	263	263	403	242	378	378	137	129	155	155	120	11,5	24	
5SV08	1,1	80	428	263	263	428	267	403	403	137	129	155	155	120	12,1	24,5	
5SV09	1,5	90	463	263	298	463	292	438	438	137	134	155	174	140	12,7	30,9	
5SV10	1,5	90	488	263	298	488	317	463	463	137	134	155	174	140	13,1	31,3	
5SV11	1,5	90	513	263	298	513	342	488	488	137	134	155	174	140	13,6	31,8	
5SV12	2,2	90	538	298	298	538	367	513	513	151	134	174	174	140	14,1	32,3	
5SV13	2,2	90	563	298	298	563	392	538	538	151	134	174	174	140	14,6	32,8	
5SV14	2,2	90	588	298	298	588	417	563	563	151	134	174	174	140	15	33,2	
5SV15	2,2	90	613	298	298	613	442	588	588	151	134	174	174	140	15,5	33,7	
5SV16	2,2	90	638	298	298	638	467	613	613	151	134	174	174	140	16	34,2	
5SV18	3	100	698	-	298	698	517	673	673	-	134	-	174	160	18	39	
5SV21	3	100	773	-	298	773	592	748	748	-	134	-	174	160	19,4	40,4	
5SV23	4	112	823	-	319	823	642	-	798	-	154	-	197	160	20,4	47	
5SV25	4	112	873	-	319	873	692	-	848	-	154	-	197	160	21,3	48	
5SV28	4	112	948	-	319	948	767	-	923	-	154	-	197	160	23	49,4	
5SV30	5,5	132	1018	-	375	1018	817	-	993	-	168	-	214	300	28,1	65,7	
5SV33	5,5	132	1093	-	375	1093	892	-	1068	-	168	-	214	300	29,5	67,1	

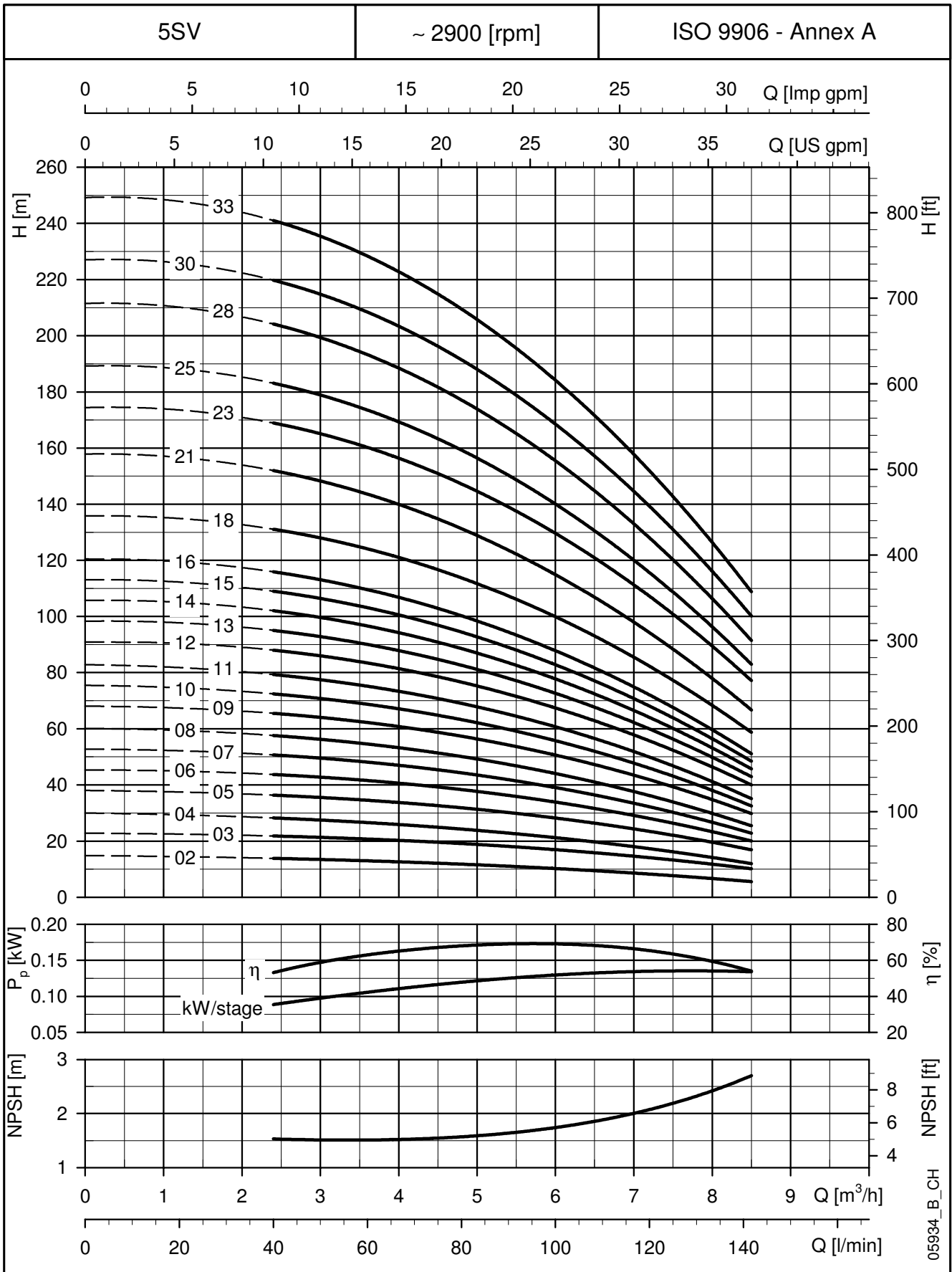




# ITT

# Lowara

## 5SV SERIES OPERATING CHARACTERISTICS AT 50 Hz, 2 POLES



05934\_B\_CH

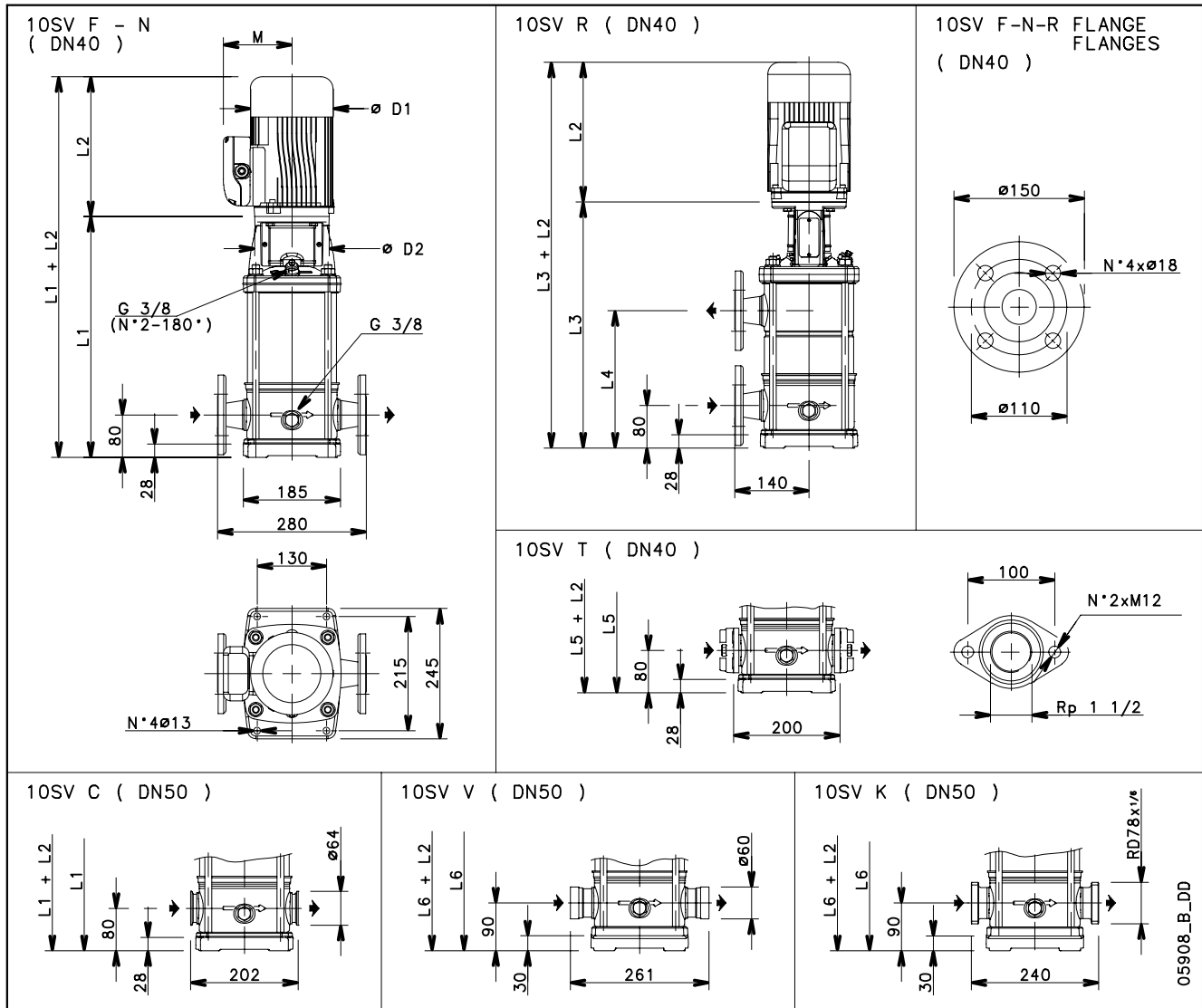
These performances are valid for liquids with density  $\rho = 1.0 \text{ Kg/dm}^3$  and kinematic viscosity  $\nu = 1 \text{ mm}^2/\text{sec}$ .



# ITT

# Lowara

## 10SV SERIES DIMENSIONS AND WEIGHTS AT 50 Hz, 2 POLES



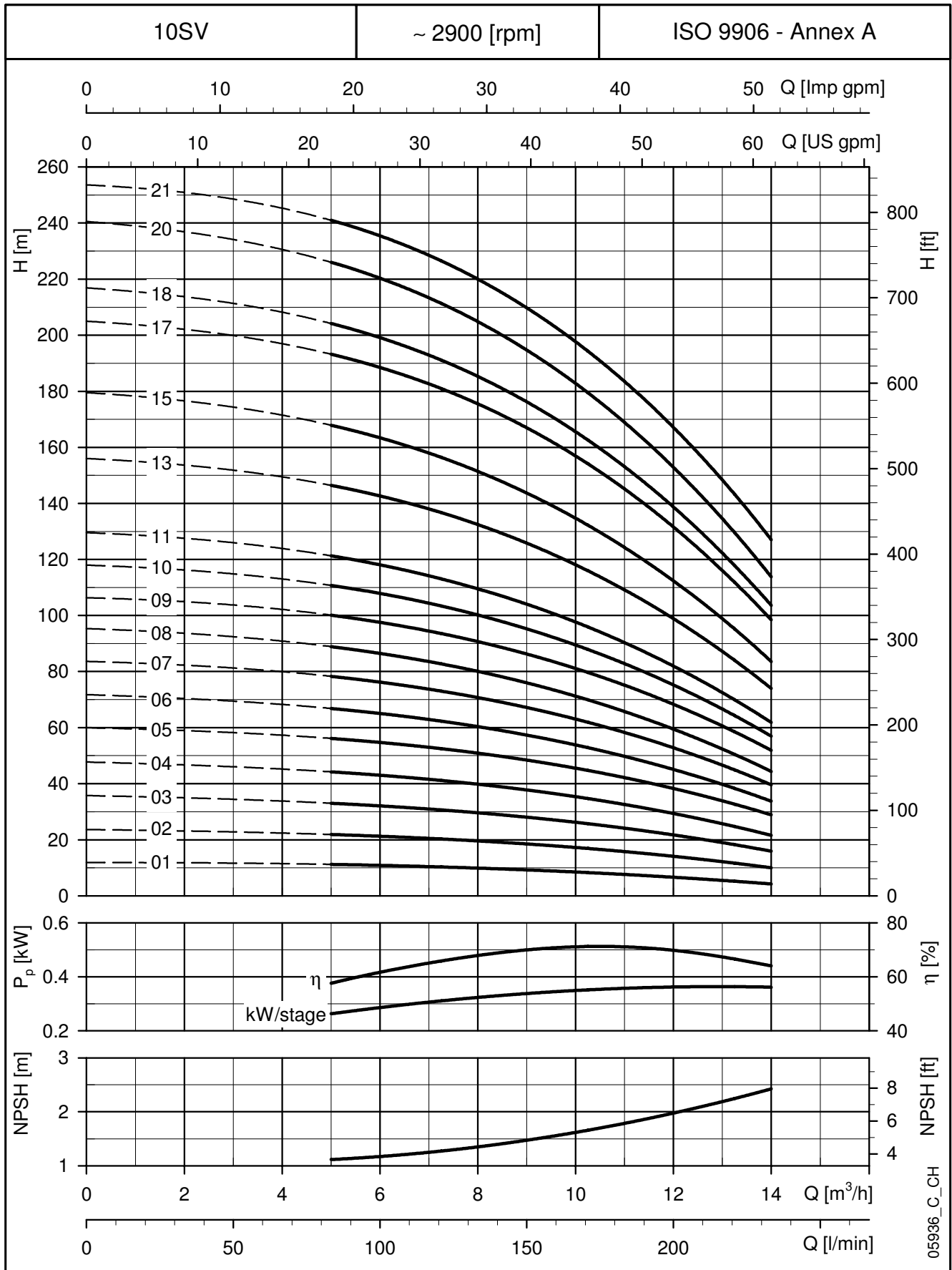
PUMP TYPE	MOTOR		DIMENSIONS (mm)												WEIGHT kg	
	kW	SIZE	L1	L2		L3	L4	L5	L6	M		D1		D2	PUMP	ELECTRIC
				1 ~	3 ~					1 ~	3 ~	1 ~	3 ~			
10SV01	0,75	80	357	226	263	-	-	357	367	121	129	140	155	120	14,2	25,4
10SV02	0,75	80	357	226	263	-	-	357	367	121	129	140	155	120	15,1	26,3
10SV03	1,1	80	389	263	263	-	-	389	399	137	129	155	155	120	16,1	29
10SV04	1,5	90	431	263	298	-	-	431	441	137	134	155	174	140	17,6	33,8
10SV05	2,2	90	463	298	298	463	259	463	473	151	134	174	174	140	18,5	36,7
10SV06	2,2	90	495	298	298	495	291	495	505	151	134	174	174	140	19,7	37,9
10SV07	3	100	537	-	298	537	323	537	547	-	134	-	174	160	21,5	42,5
10SV08	3	100	569	-	298	569	355	569	579	-	134	-	174	160	22,4	43,4
10SV09	4	112	601	-	319	601	387	601	611	-	154	-	197	160	23,3	49,7
10SV10	4	112	633	-	319	633	419	633	643	-	154	-	197	160	24,3	50,7
10SV11	4	112	665	-	319	665	451	665	675	-	154	-	197	160	25,2	52
10SV13	5,5	132	796	-	375	796	515	796	806	-	168	-	214	300	33,1	71
10SV15	5,5	132	860	-	375	860	579	-	870	-	168	-	214	300	35	73
10SV17	7,5	132	924	-	367	924	643	-	934	-	191	-	256	300	36,9	93
10SV18	7,5	132	956	-	367	956	675	-	966	-	191	-	256	300	37,8	94
10SV20	7,5	132	1020	-	367	1020	739	-	1030	-	191	-	256	300	39,6	96
10SV21	11	160	1082	-	428	1082	771	-	1092	-	191	-	256	350	42,2	113



# ITT

# Lowara

## 10SV SERIES OPERATING CHARACTERISTICS AT 50 Hz, 2 POLES



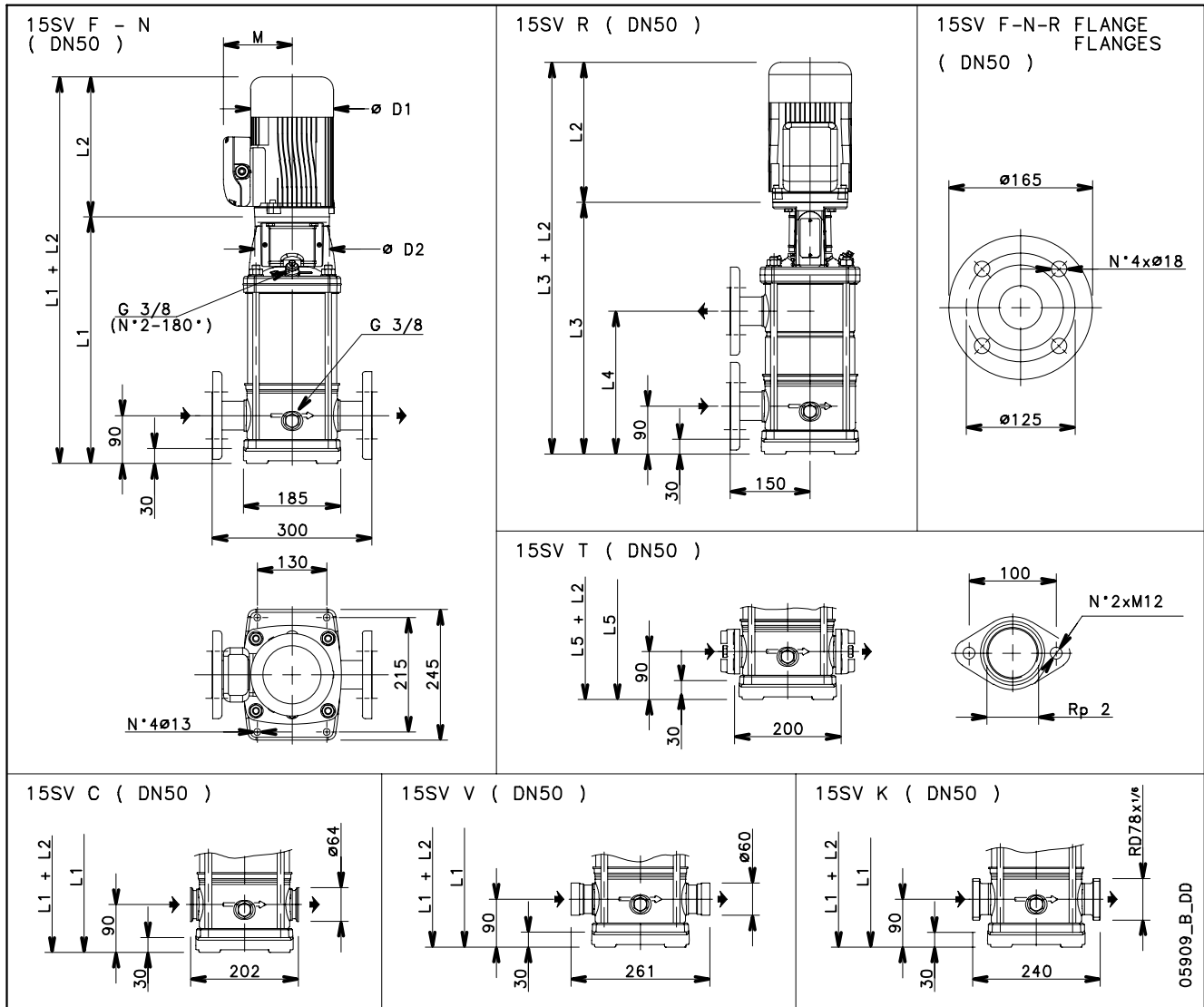
These performances are valid for liquids with density  $\rho = 1.0 \text{ Kg/dm}^3$  and kinematic viscosity  $\nu = 1 \text{ mm}^2/\text{sec}$ .



# ITT

# Lowara

## 15SV SERIES DIMENSIONS AND WEIGHTS AT 50 Hz, 2 POLES



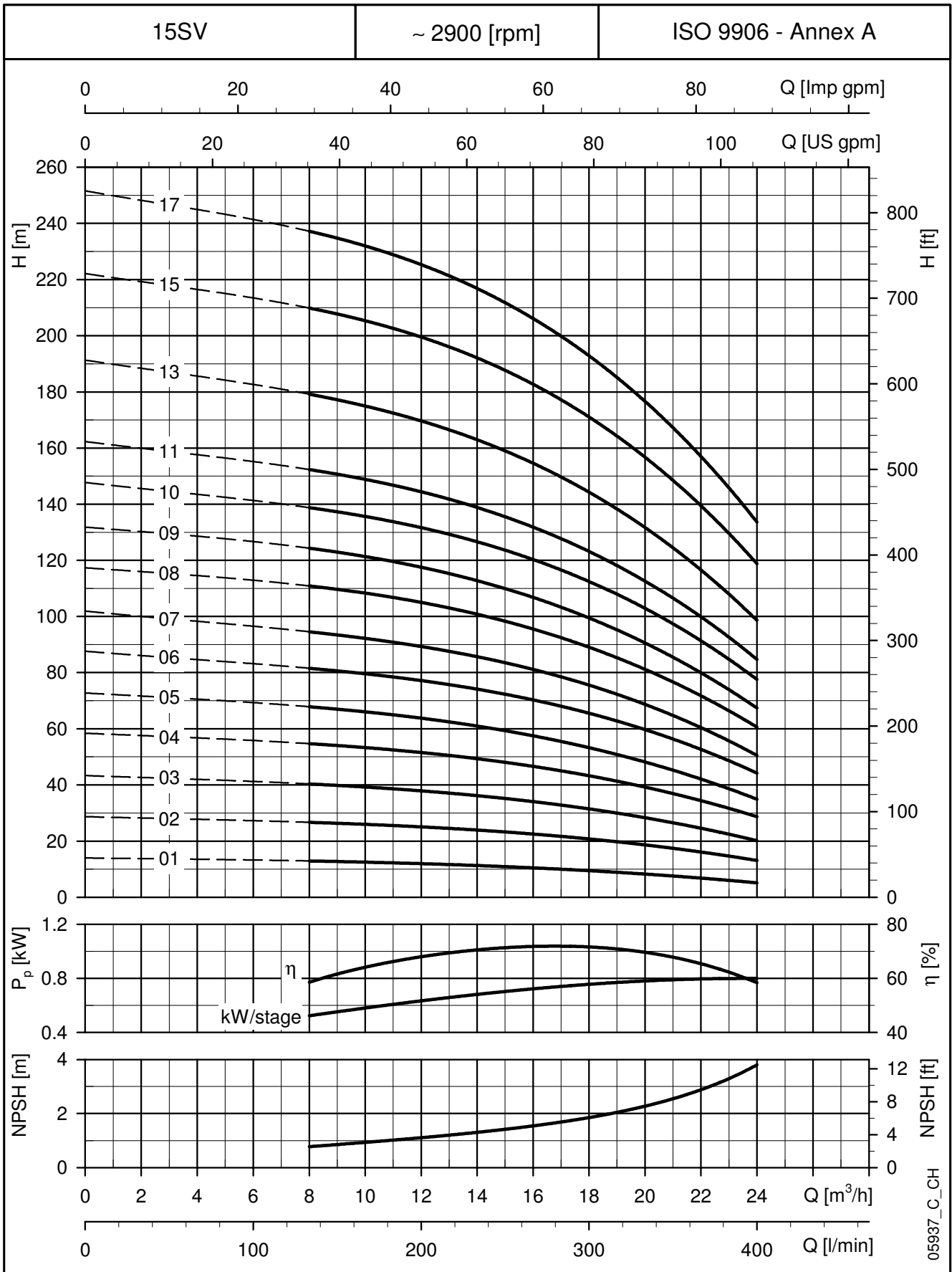
PUMP TYPE	MOTOR		DIMENSIONS (mm)											WEIGHT kg	
	KW	SIZE	L1	L2		L3	L4	L5	M		D1		D2	PUMP	ELECTRIC
				1 ~	3 ~				1 ~	3 ~	1 ~	3 ~			
15SV01	1,1	80	399	263	263	-	-	399	137	129	155	155	120	15	28,2
15SV02	2,2	90	409	298	298	-	-	409	151	134	174	174	140	16,8	34,7
15SV03	3	100	467	-	298	-	-	467	-	134	-	174	160	19	40
15SV04	4	112	515	-	319	515	301	515	-	154	-	197	160	20,3	46,8
15SV05	4	112	563	-	319	563	349	563	-	154	-	197	160	21,5	47,9
15SV06	5,5	132	678	-	375	678	397	678	-	168	-	214	300	28,9	67
15SV07	5,5	132	726	-	375	726	445	726	-	168	-	214	300	30,2	68
15SV08	7,5	132	774	-	367	774	493	774	-	191	-	256	300	31,5	88
15SV09	7,5	132	822	-	367	822	541	822	-	191	-	256	300	32,8	90
15SV10	11	160	900	-	428	900	589	900	-	191	-	256	350	37	108
15SV11	11	160	948	-	428	948	637	-	-	191	-	256	350	38,3	109
15SV13	11	160	1044	-	428	1044	733	-	-	191	-	256	350	41	112
15SV15	15	160	1140	-	494	1140	829	-	-	240	-	313	350	43,7	146
15SV17	15	160	1236	-	494	1236	925	-	-	240	-	313	350	46,7	149



# ITT

# Lowara

## 15SV SERIES OPERATING CHARACTERISTICS AT 50 Hz, 2 POLES



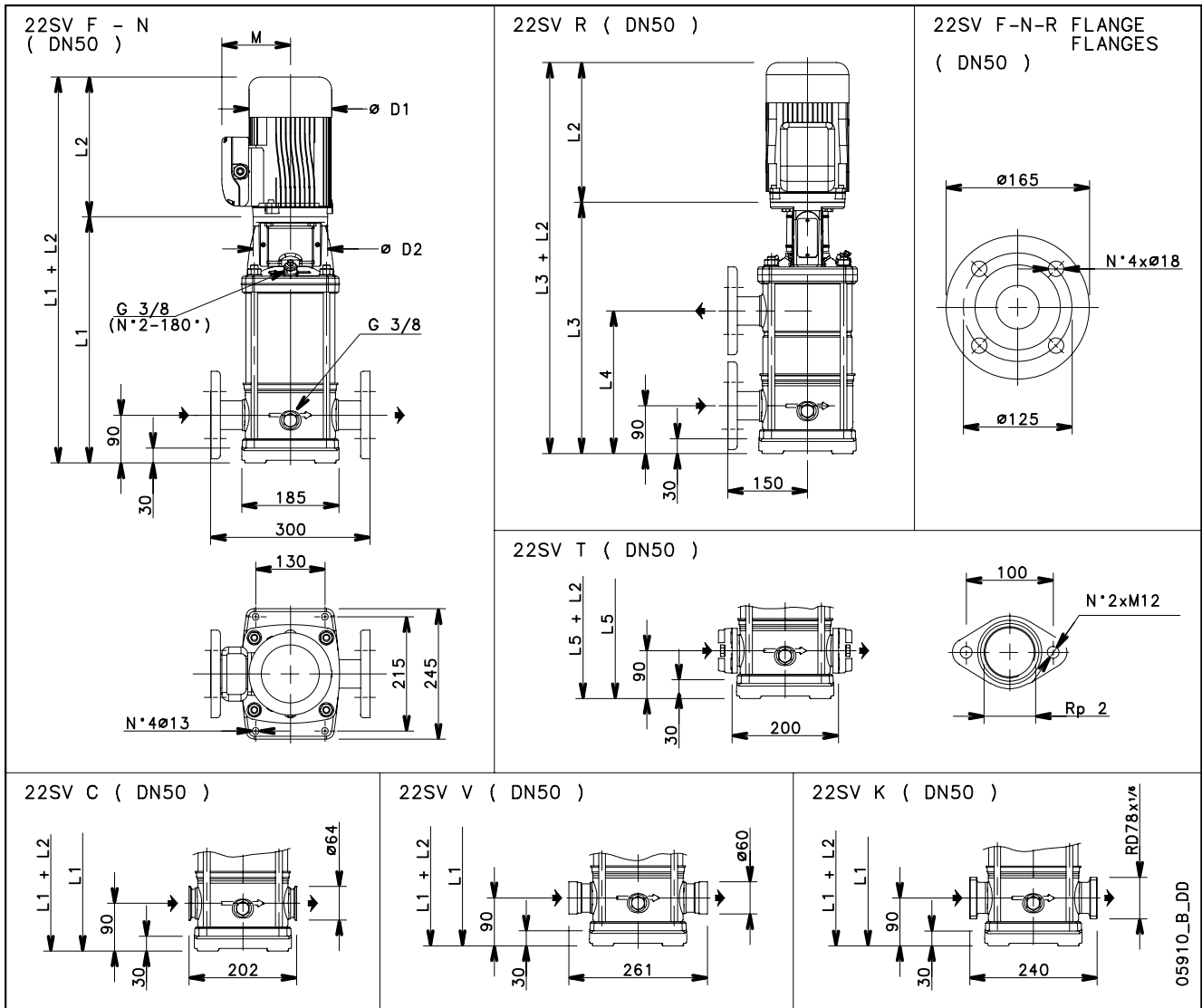
These performances are valid for liquids with density  $\rho = 1.0 \text{ Kg/dm}^3$  and kinematic viscosity  $\nu = 1 \text{ mm}^2/\text{sec}$ .



# ITT

# Lowara

## 22SV SERIES DIMENSIONS AND WEIGHTS AT 50 Hz, 2 POLES



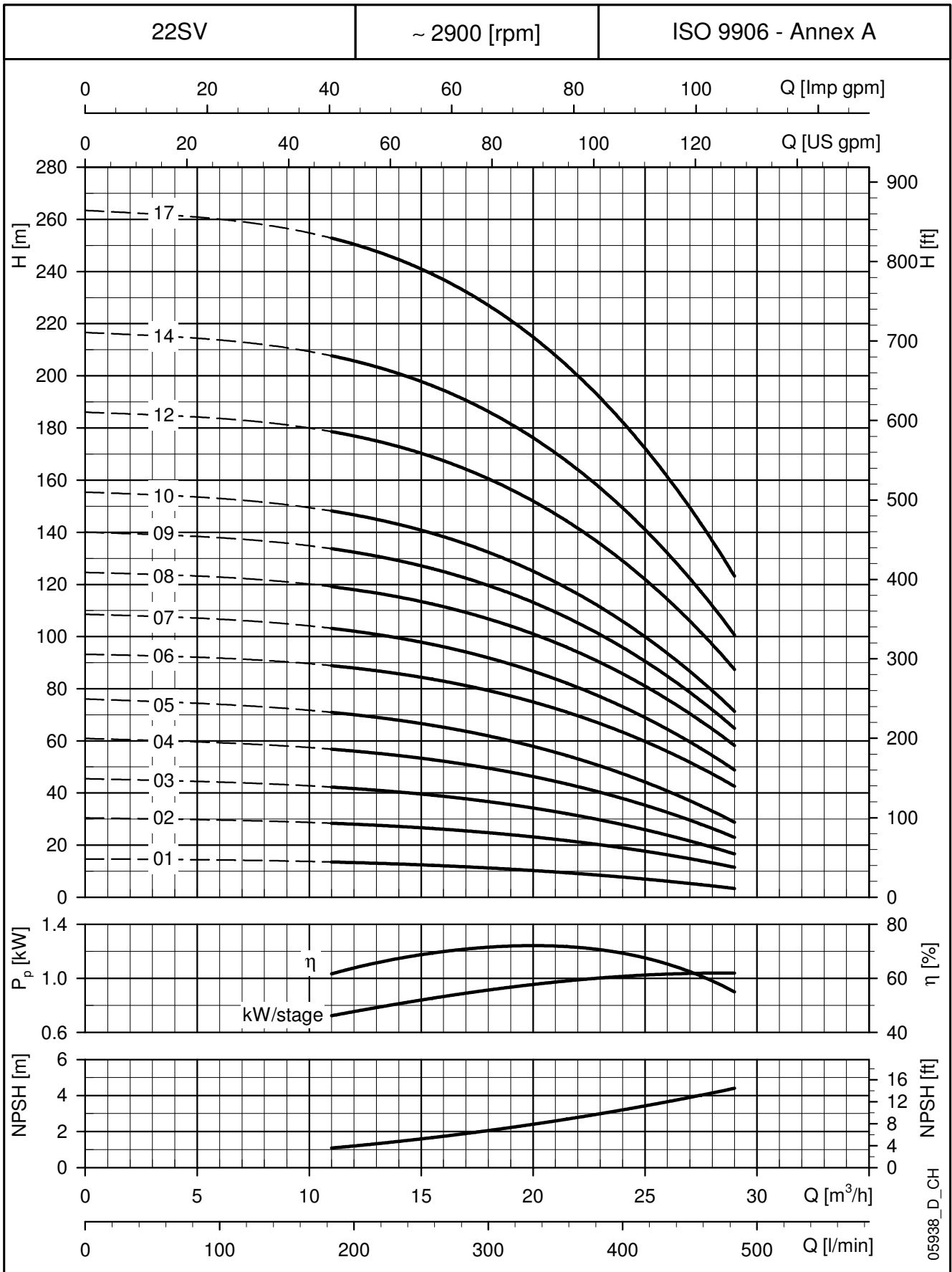
PUMP TYPE	MOTOR		DIMENSIONS (mm)											WEIGHT kg	
	kW	SIZE	L1	L2		L3	L4	L5	M		D1		D2	PUMP	ELECTRIC
				1 ~	3 ~				1 ~	3 ~	1 ~	3 ~			
22SV01	1,1	80	399	263	263	-	-	399	137	129	155	155	120	15,5	28,3
22SV02	2,2	90	409	298	298	-	-	409	151	134	174	174	140	17,2	35,4
22SV03	3	100	467	-	298	-	-	467	-	134	-	174	160	19,4	40,4
22SV04	4	112	515	-	319	515	301	515	-	154	-	197	160	20,7	47,1
22SV05	5,5	132	630	-	375	630	349	630	-	168	-	214	300	26,7	65
22SV06	7,5	132	678	-	367	678	397	678	-	191	-	256	300	28	84
22SV07	7,5	132	726	-	367	726	445	726	-	191	-	256	300	29,3	86
22SV08	11	160	804	-	428	804	493	804	-	191	-	256	350	33,1	104
22SV09	11	160	852	-	428	852	541	852	-	191	-	256	350	34,4	105
22SV10	11	160	900	-	428	900	589	900	-	191	-	256	350	35,8	107
22SV12	15	160	996	-	494	996	685	-	-	240	-	313	350	38,4	141
22SV14	15	160	1092	-	494	1092	781	-	-	240	-	313	350	41,1	144
22SV17	18,5	160	1236	-	494	1236	925	-	-	240	-	313	350	45,1	156



# ITT

# Lowara

## 22SV SERIES OPERATING CHARACTERISTICS AT 50 Hz, 2 POLES



05938\_D\_CH

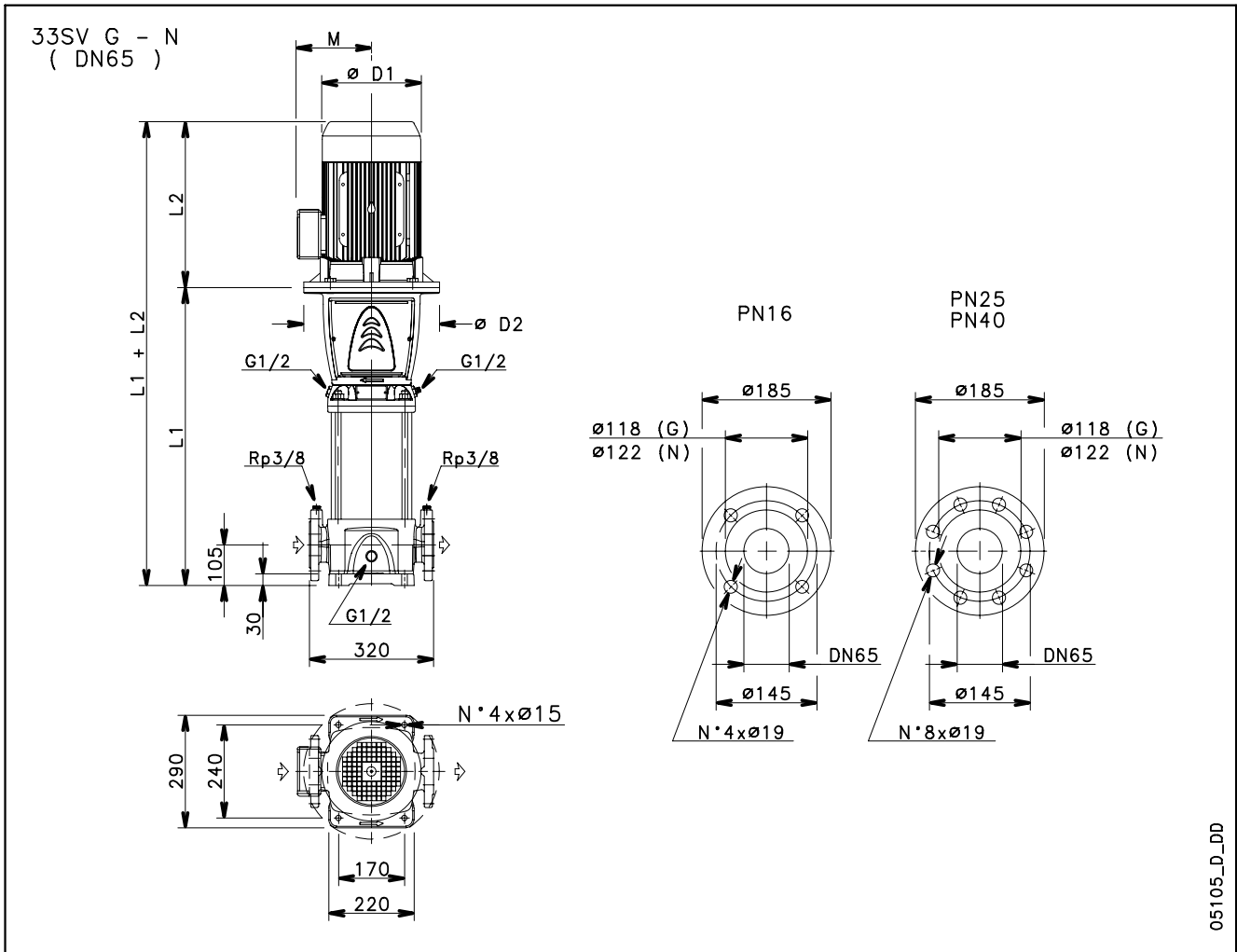
These performances are valid for liquids with density  $\rho = 1.0 \text{ Kg/dm}^3$  and kinematic viscosity  $\nu = 1 \text{ mm}^2/\text{sec}$ .



# ITT

# Lowara

## 33SV SERIES DIMENSIONS AND WEIGHTS AT 50 Hz, 2 POLES



PUMP TYPE	MOTOR		DIMENSIONS (mm)							WEIGHT kg	
	kW	SIZE	L1	L2	D1	D2	M	PN	PUMP	ELECTRIC PUMP	
33SV1/1A	2,2	90	489	298	174	164	134	16	52	73	
33SV1	3	100	489	298	174	164	134	16	52	73	
33SV2/2A	4	112	564	319	197	164	154	16	56	82,5	
33SV2/1A	4	112	564	319	197	164	154	16	56	82,5	
33SV2	5,5	132	584	375	214	300	168	16	61	98,5	
33SV3/2A	5,5	132	659	375	214	300	168	16	65	103	
33SV3/1A	7,5	132	659	367	256	300	191	16	65	121	
33SV3	7,5	132	659	367	256	300	191	16	65	121	
33SV4/2A	7,5	132	734	367	256	300	191	16	69	125	
33SV4/1A	11	160	769	428	256	350	191	16	73	143	
33SV4	11	160	769	428	256	350	191	16	73	143	
33SV5/2A	11	160	844	428	256	350	191	16	77	147	
33SV5/1A	11	160	844	428	256	350	191	16	77	147	
33SV5	15	160	844	494	313	350	240	16	77	179	
33SV6/2A	15	160	919	494	313	350	240	16	81	183	
33SV6/1A	15	160	919	494	313	350	240	25	81	183	
33SV6	15	160	919	494	313	350	240	25	81	183	
33SV7/2A	15	160	994	494	313	350	240	25	84	186	
33SV7/1A	18,5	160	994	494	313	350	240	25	84	195	

PUMP TYPE	MOTOR		DIMENSIONS (mm)							WEIGHT kg	
	kW	SIZE	L1	L2	D1	D2	M	PN	PUMP	ELECTRIC PUMP	
33SV7	18,5	160	994	494	313	350	240	25	84	195	
33SV8/2A	18,5	160	1069	494	313	350	240	25	88	199	
33SV8/1A	18,5	160	1069	494	313	350	240	25	88	199	
33SV8	22	180	1069	494	313	350	240	25	89	210	
33SV9/2A	22	180	1144	494	313	350	240	25	93	214	
33SV9/1A	22	180	1144	494	313	350	240	25	93	214	
33SV9	22	180	1144	494	313	350	240	25	93	214	
33SV10/2A	22	180	1219	494	313	350	240	25	97	218	
33SV10/1A	30	200	1219	657	402	400	317	25	104	319	
33SV10	30	200	1219	657	402	400	317	25	104	319	
33SV11/2A	30	200	1294	657	402	400	317	40	118	333	
33SV11/1A	30	200	1294	657	402	400	317	40	118	333	
33SV11	30	200	1294	657	402	400	317	40	118	333	
33SV12/2A	30	200	1369	657	402	400	317	40	122	337	
33SV12/1A	30	200	1369	657	402	400	317	40	122	337	
33SV12	30	200	1369	657	402	400	317	40	122	337	
33SV13/2A	30	200	1444	657	402	400	317	40	127	342	
33SV13/1A	30	200	1444	657	402	400	317	40	127	342	

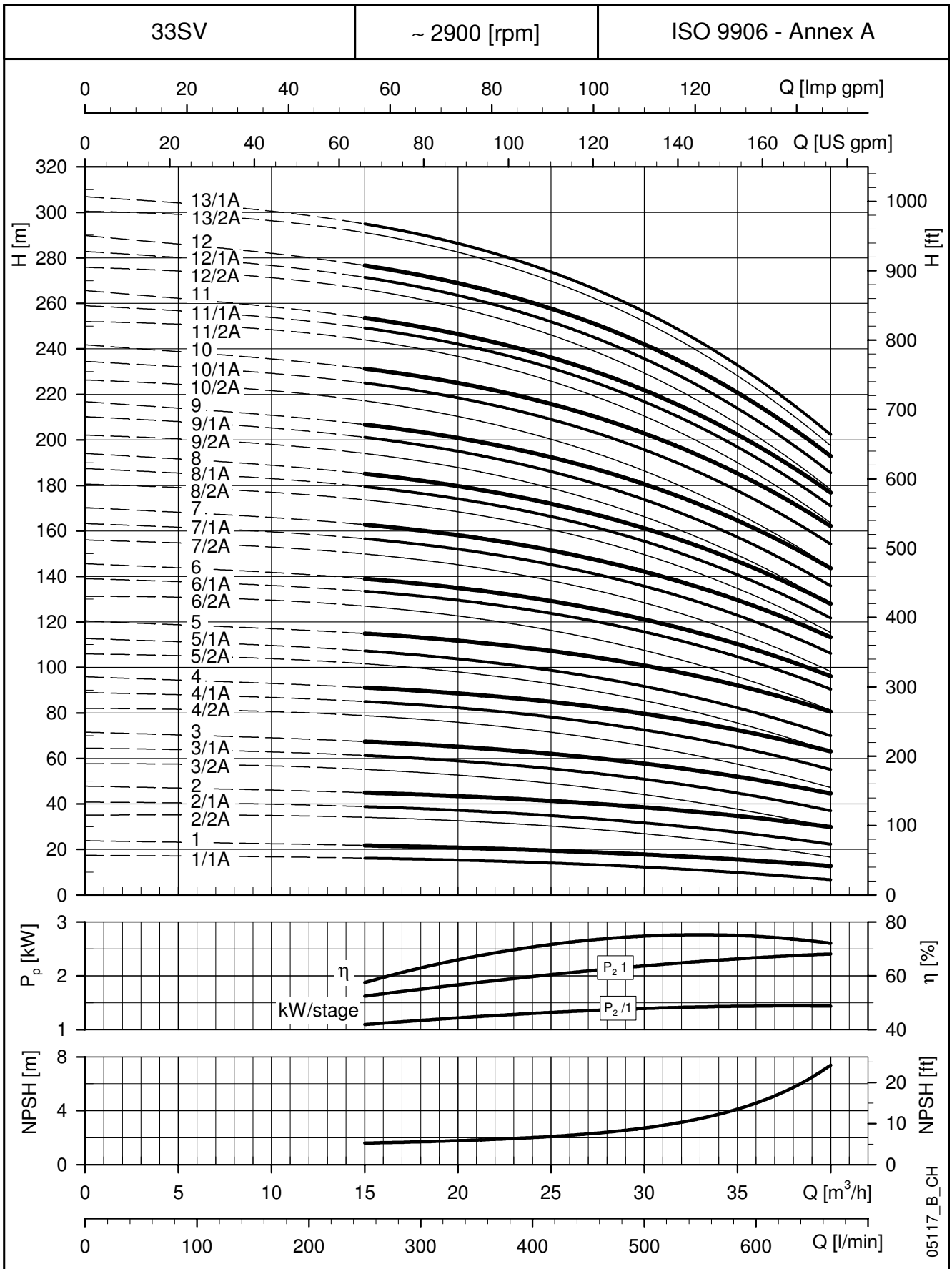




# ITT

# Lowara

## 33SV SERIES OPERATING CHARACTERISTICS AT 50 Hz, 2 POLES



These performances are valid for liquids with density  $\rho = 1.0 \text{ Kg/dm}^3$  and kinematic viscosity  $\nu = 1 \text{ mm}^2/\text{sec}$ .

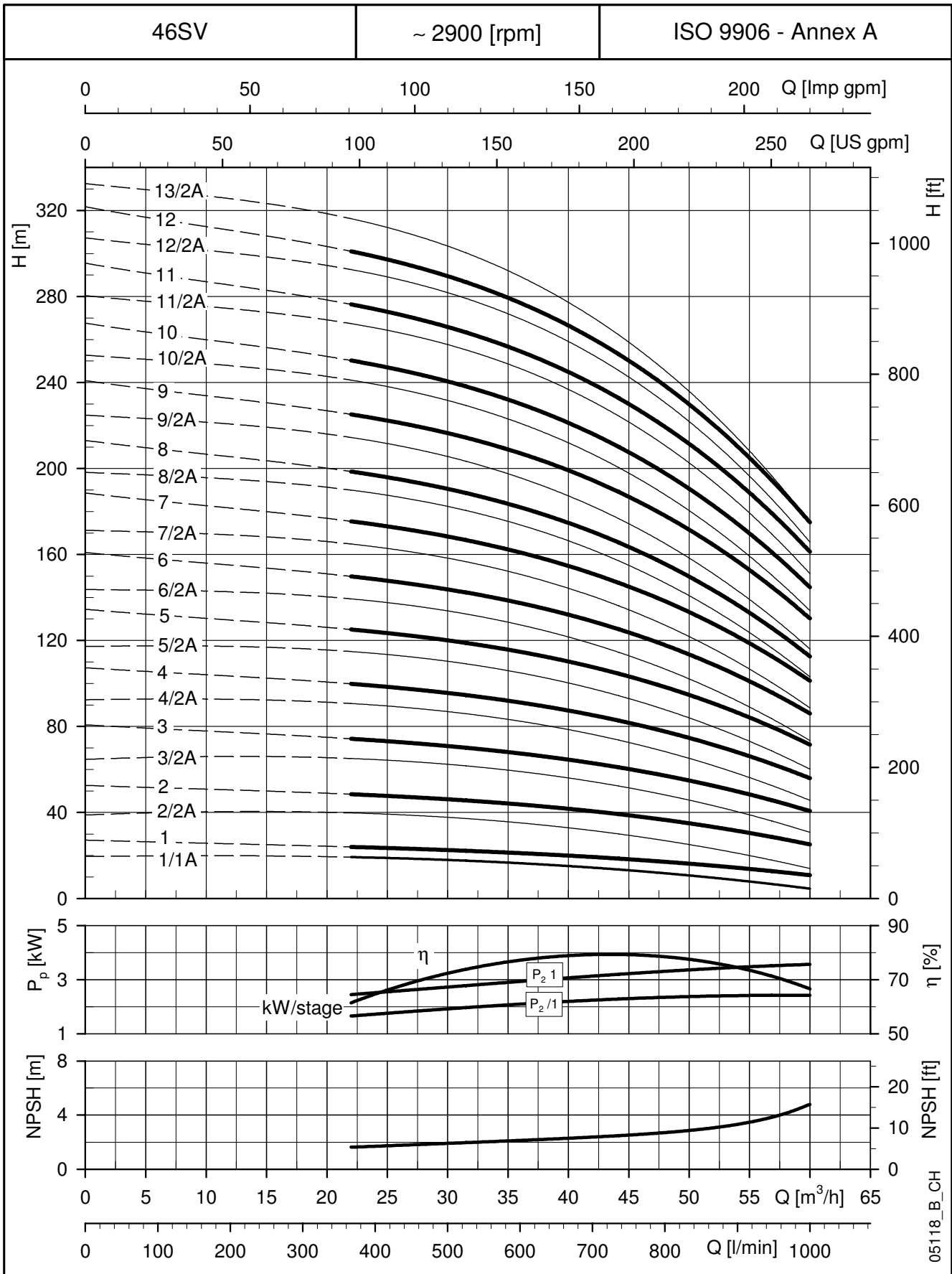




# ITT

# Lowara

## 46SV SERIES OPERATING CHARACTERISTICS AT 50 Hz, 2 POLES



These performances are valid for liquids with density  $\rho = 1.0 \text{ Kg/dm}^3$  and kinematic viscosity  $\nu = 1 \text{ mm}^2/\text{sec}$ .

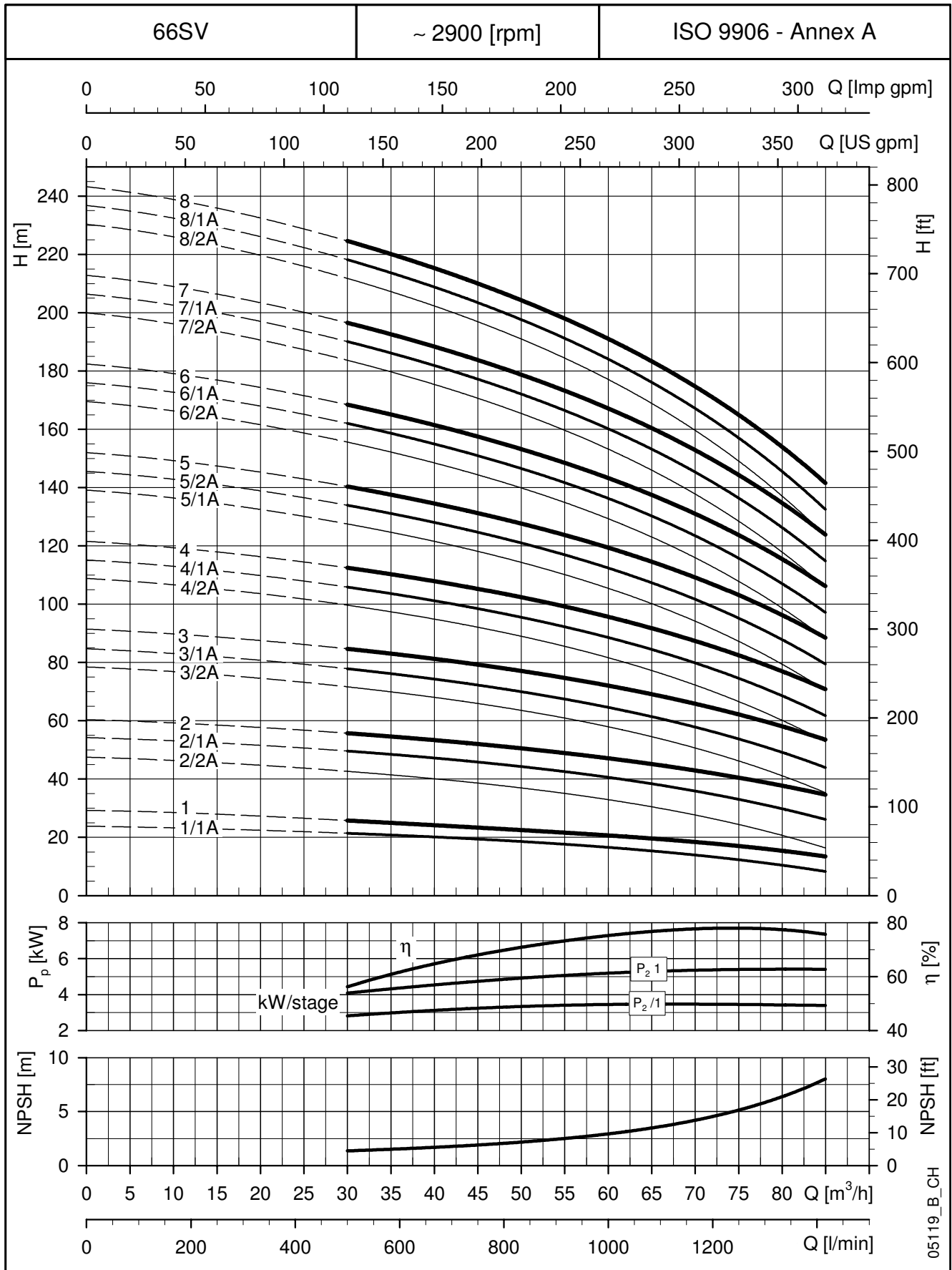




# ITT

# Lowara

## 66SV SERIES OPERATING CHARACTERISTICS AT 50 Hz, 2 POLES



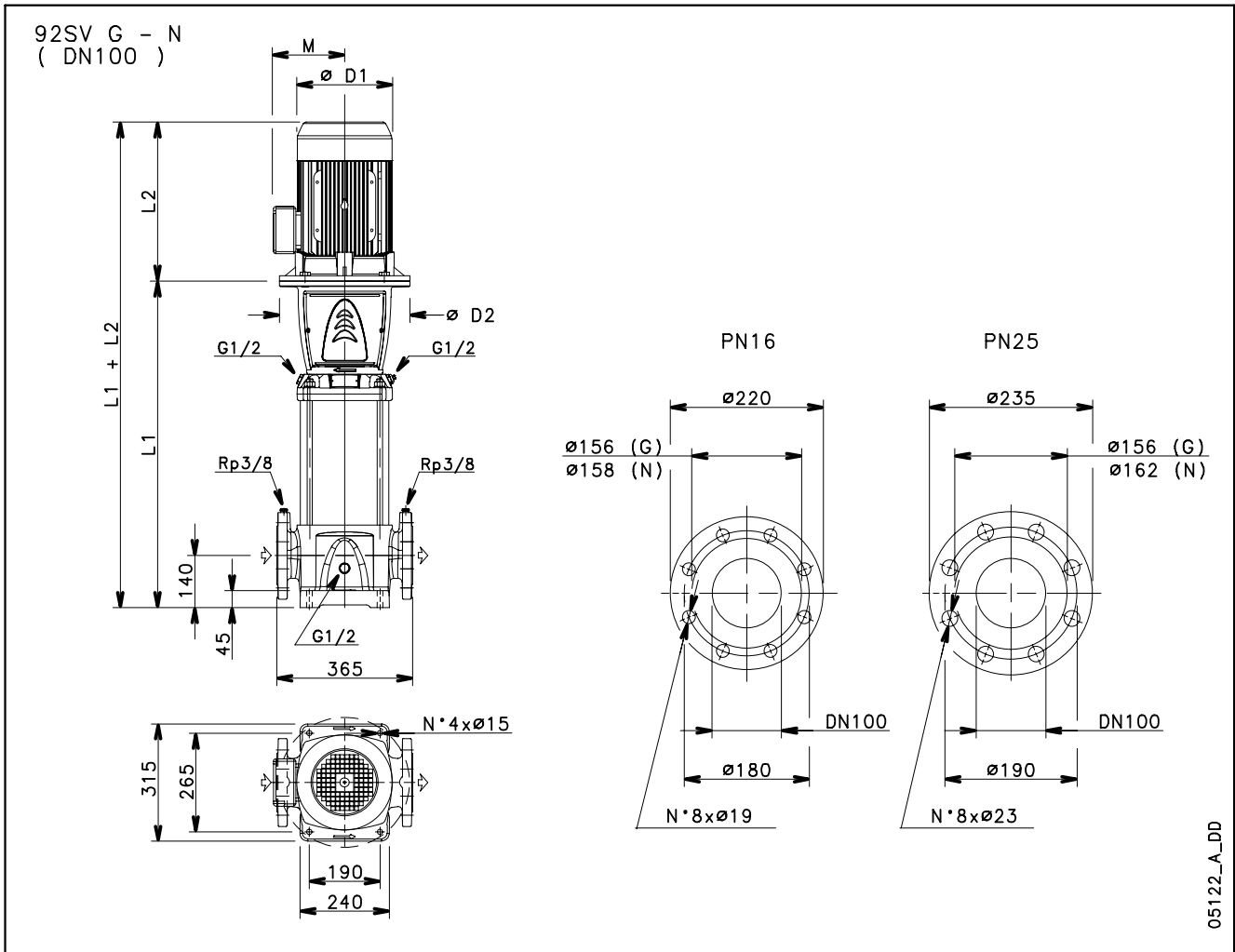
These performances are valid for liquids with density  $\rho = 1.0 \text{ Kg/dm}^3$  and kinematic viscosity  $\nu = 1 \text{ mm}^2/\text{sec}$ .



# ITT

# Lowara

## 92SV SERIES DIMENSIONS AND WEIGHTS AT 50 Hz, 2 POLES



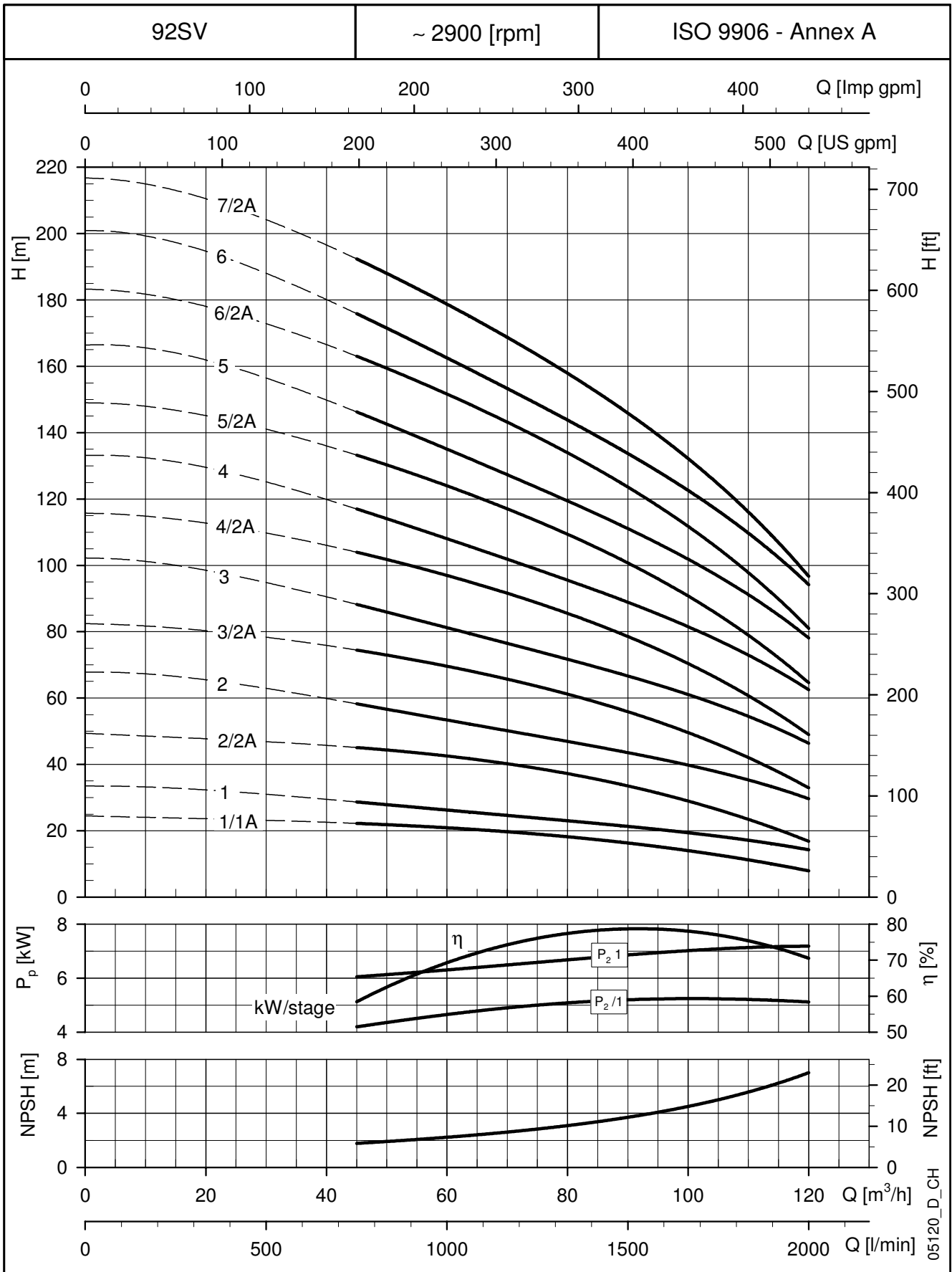
PUMP TYPE	MOTOR		DIMENSIONS (mm)						WEIGHT kg	
	kW	SIZE	L1	L2	D1	D2	M	PN	PUMP	ELECTRIC
92SV1/1A	5,5	132	574	375	214	300	168	16	71	109
92SV1	7,5	132	574	367	256	300	191	16	71	127
92SV2/2A	11	160	699	428	256	350	191	16	80	150
92SV2	15	160	699	494	313	350	240	16	80	182
92SV3/2A	18,5	160	789	494	313	350	240	16	86	197
92SV3	22	180	789	494	313	350	240	16	87	208
92SV4/2A	30	200	879	657	402	400	317	16	99	314
92SV4	30	200	879	657	402	400	317	16	99	314
92SV5/2A	37	200	969	657	402	400	317	25	107	337
92SV5	37	200	969	657	402	400	317	25	107	337
92SV6/2A	45	225	1059	746	455	450	384	25	116	472
92SV6	45	225	1059	746	455	450	384	25	116	472
92SV7/2A	45	225	1149	746	455	450	384	25	121	477



# ITT

# Lowara

## 92SV SERIES OPERATING CHARACTERISTICS AT 50 Hz, 2 POLES



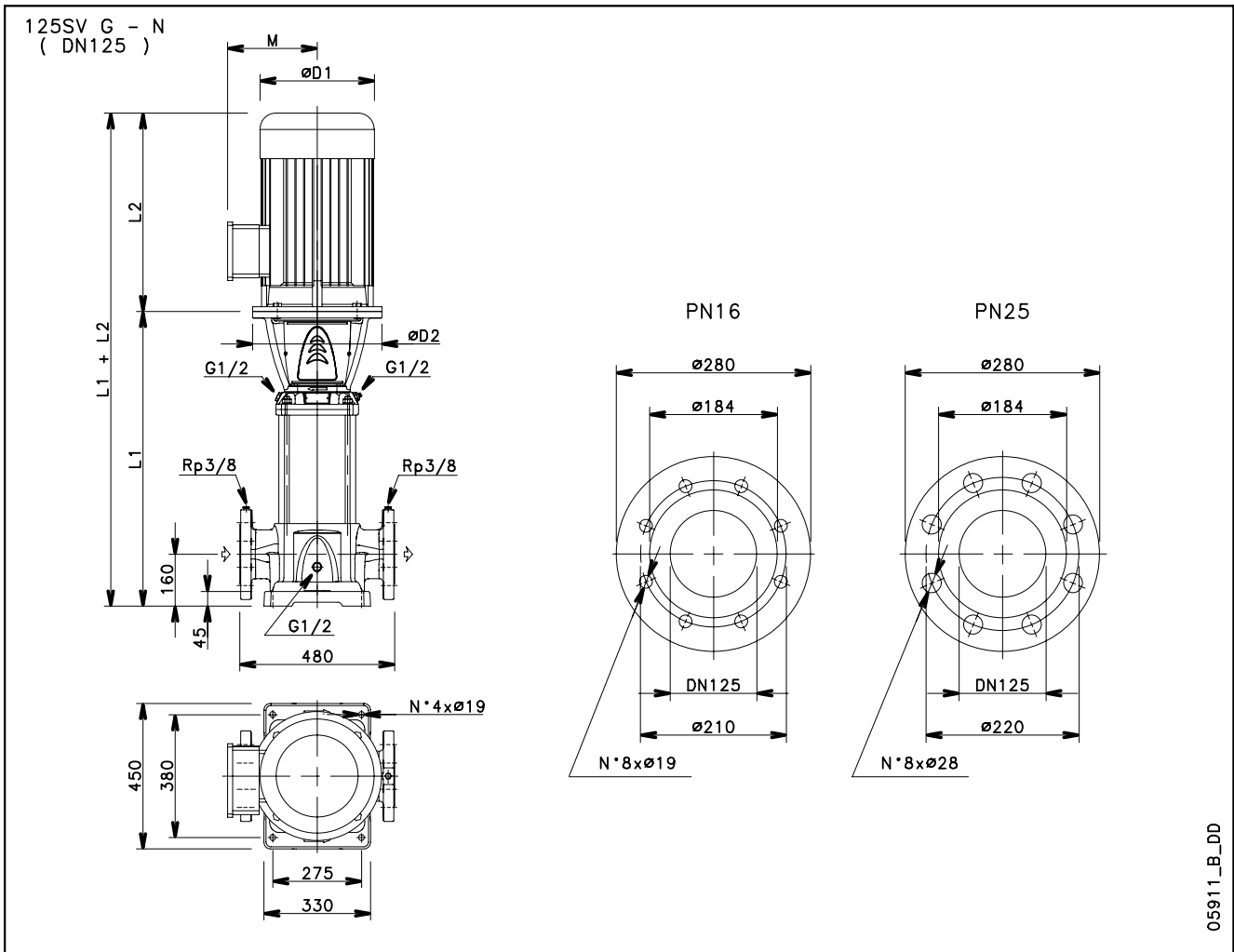
These performances are valid for liquids with density  $\rho = 1.0 \text{ Kg/dm}^3$  and kinematic viscosity  $\nu = 1 \text{ mm}^2/\text{sec}$ .



# ITT

# Lowara

## 125SV SERIES DIMENSIONS AND WEIGHTS AT 50 Hz, 2 POLES



05911\_B\_DD

PUMP TYPE	MOTOR		DIMENSIONS (mm)						WEIGHT kg	
	kW	SIZE	L1	L2	D1	D2	M	PN	PUMP	ELECTRIC PUMP
125SV1	7,5	132	693	367	256	300	191	16	116	172
125SV2	15	160	878	494	313	350	240	16	131	233
125SV3	22	180	1028	494	313	350	240	16	143	265
125SV4	30	200	1178	657	402	400	317	16	161	376
125SV5	37	200	1328	657	402	400	317	16	172	402
125SV6	45	225	1478	746	455	450	384	16	187	543
125SV7	55	250	1658	825	486	550	402	25	216	666
125SV8/2A	55	250	1808	825	486	550	402	25	229	679

125sv-2p50-en\_b\_td

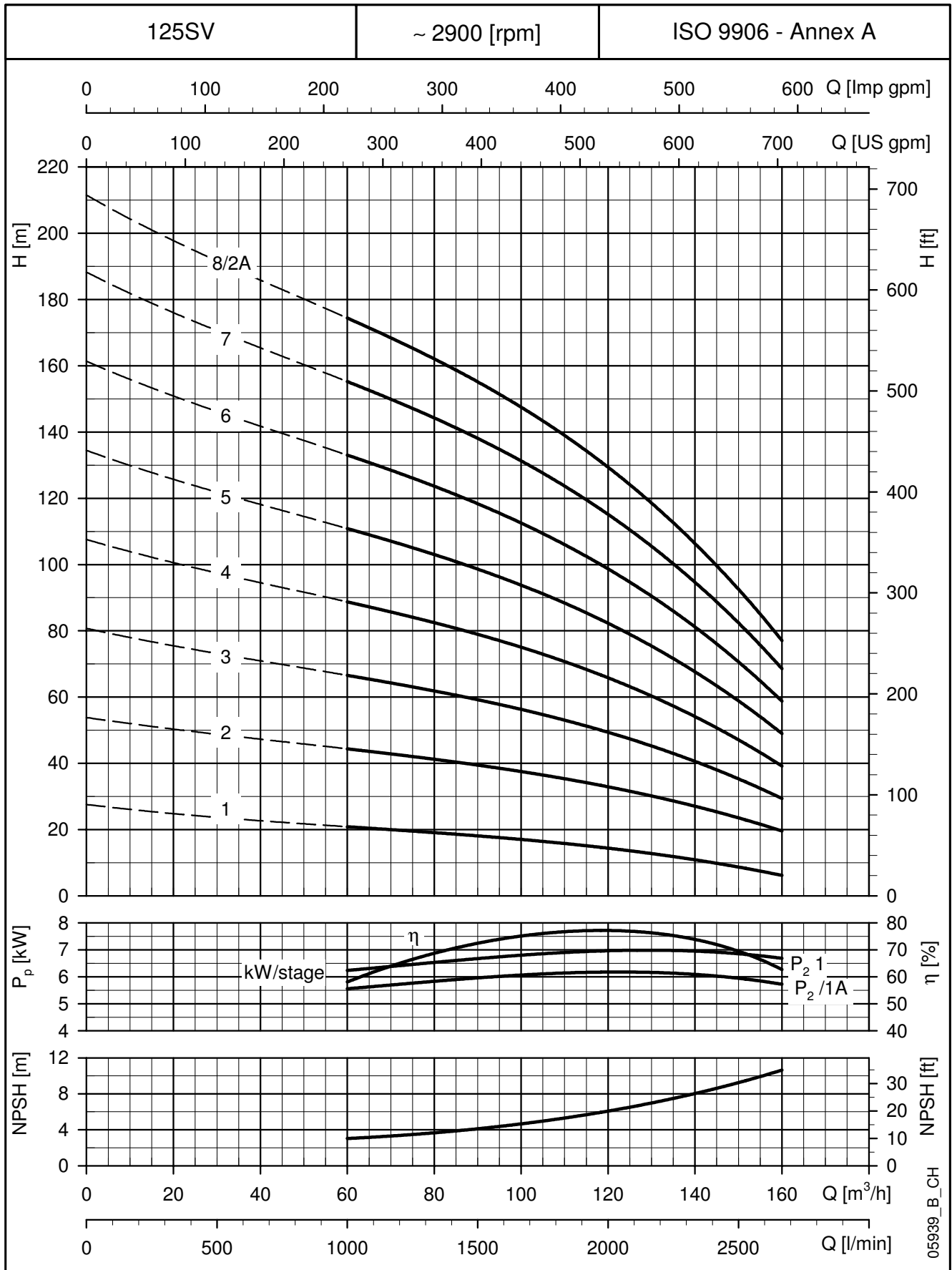




# ITT

# Lowara

## 125SV SERIES OPERATING CHARACTERISTICS AT 50 Hz, 2 POLES



These performances are valid for liquids with density  $\rho = 1.0 \text{ Kg/dm}^3$  and kinematic viscosity  $\nu = 1 \text{ mm}^2/\text{sec}$ .

## 代理商信息：

### 南京苏欧机电设备有限公司

地址：南京市新街口洪武大厦705

电话：025-83341780 15312045944 传真：025-58808583

QQ：1766752891

网址：[www.sopump.com](http://www.sopump.com) [www.suoworld.cn](http://www.suoworld.cn)

### 开票资料：

南京苏欧机电设备有限公司

开户行：南京银行淮海支行

帐号：0147 0120 21000 3487

税号：3201 0766 3775 237

地址：下关区商埠街27号滨江科技创业中心611 室

电话：025 - 58763345